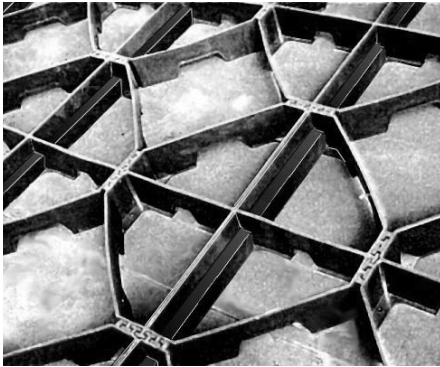


Product Data Sheet

Georaster®

Order No. 3400



Grid element of recycled polyethylene; applicable shear force protection on pitched green roofs; used as reinforcement for pavings, etc.

Technical Data

Georaster®

Stable grid element, applicable as shear force protection on pitched green roofs in connection with stable eaves, or additional shear barriers, or as reinforcement for gravel-lawn pavings.

Material:

Polyethylene (PE-HD),
ca. 80% recycled material

Height:

ca. 100 mm

Grid dimension:

ca. 625 mm

Weight:

ca. 2.1 kg/element

Compressive strength:

max. 8 kN/m in shear direction

Dimensions:

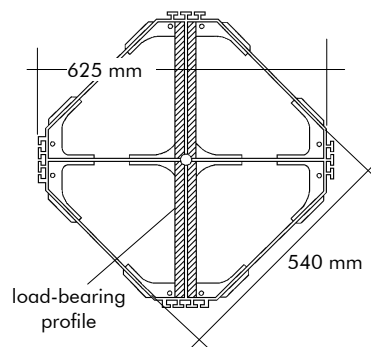
ca. 540 mm x 540 mm

Features

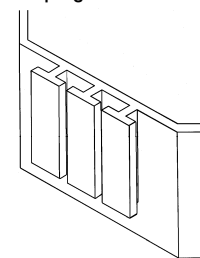
- light weight structure with high load bearing capacity and shear strength
- full reinforcement of the area due to T-plug connections
- walkable
- driveable after complete and compacted filling
- permeable to water
- large root space available
- environmentally friendly
- various applications

Dimensions

"Georaster®"



The connection of the elements is done with T-plug connections



Specification Suggestion

Grid elements of polyethylene (PE-HD), contains 80 % recycled material, height ca. 100 mm, grid dimension 625 mm, with load-bearing profile and integrated T-plug connections, delivery and installation

according to manufacturer's instructions.

Make: ZinCo Georaster®
Enquiries: ZinCo GmbH,
Phone: +49 7022 6003-0