

Wing

Michael Koenig 2009

FLORA 



The Wing modular systems consists of separate elements which are interlinked, and this ensures individual lines. Many aspects of the Wing modules, which are of differing heights, can be individualised. By using integrated lighting, coloured panes, plants or a specific pattern, it is possible to create new and exciting structures which satisfy individual requirements.

FLORA Wilh. Förster
GmbH & Co. KG

Schmidtsiepen 3
58553 Halver
Germany

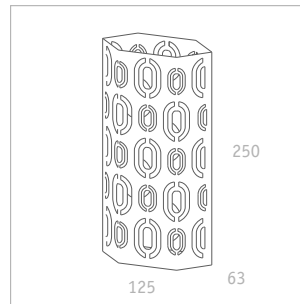
Phone +49 (0)2353 9117-0
Fax +49 (0)2353 9117-17
E-Mail info@flora-online.de
Internet www.flora-online.de

Wing

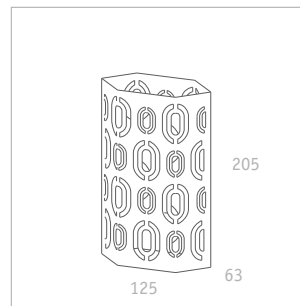
Michael Koenig 2009

FLORA

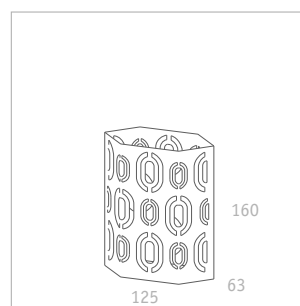
Wall system for structuring landscapes and outdoor rooms, aluminium sheet, powder coated in white, hot-dip galvanised steel base, three sizes, optional colour filter



Wing 250
h 250 cm
Weight 56 kg



Wing 200
h 205 cm
Weight 49 kg



Wing 160
h 160 cm
Weight 42 kg

FLORA Wilh. Förster
GmbH & Co. KG

Schmidtsiepen 3
58553 Halver
Germany

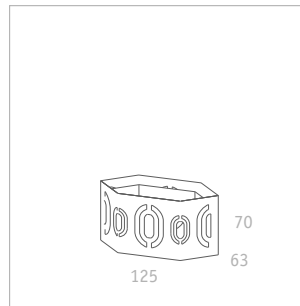
Phone +49 (0)2353 9117-0
Fax +49 (0)2353 9117-17
E-Mail info@flora-online.de
Internet www.flora-online.de

Wing

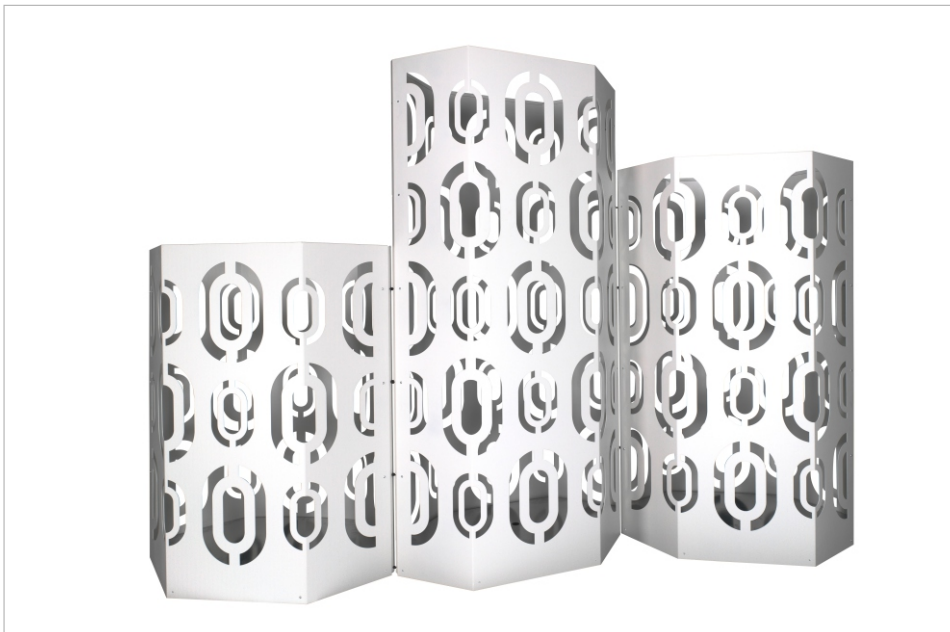
Michael Koenig 2009

FLORA 

Wall system for structuring landscapes and outdoor rooms, aluminium sheet, powder coated in white, hot-dip galvanised steel base, three sizes, optional colour filter



Wing 70
h 70 cm
Volume planter 250 l
Weight 39 kg



FLORA Wilh. Förster
GmbH & Co. KG

Schmidtsiepen 3
58553 Halver
Germany

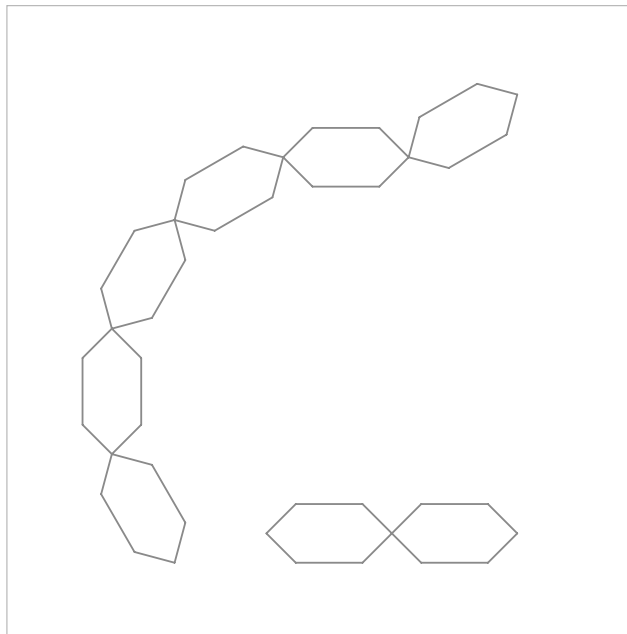
Phone +49 (0)2353 9117-0
Fax +49 (0)2353 9117-17
E-Mail info@flora-online.de
Internet www.flora-online.de

Wing

Michael Koenig 2009

FLORA 

Wall system for structuring landscapes and outdoor rooms, aluminium sheet, powder coated in white, hot-dip galvanised steel base, three sizes, optional colour filter



Flexible angle to arrange the different high elements in lines. After set up they connected together



Standard flagstone as weight covered by zinc plated sheet

FLORA Wilh. Förster
GmbH & Co. KG

Schmidtsiepen 3
58553 Halver
Germany

Phone +49 (0)2353 9117-0
Fax +49 (0)2353 9117-17
E-Mail info@flora-online.de
Internet www.flora-online.de

Wing

Michael Koenig 2009

FLORA 

Wall system for structuring landscapes and outdoor rooms, aluminium sheet, powder coated in white, hot-dip galvanised steel base, three sizes, optional colour filter



Colour filter fixed in rail top and bottom. Colours on request

Possible to illuminate by standard outdoor spotlight



FLORA Wilh. Förster
GmbH & Co. KG

Schmidtsiepen 3
58553 Halver
Germany

Phone +49 (0)2353 9117-0
Fax +49 (0)2353 9117-17
E-Mail info@flora-online.de
Internet www.flora-online.de

Wing

Michael Koenig 2009

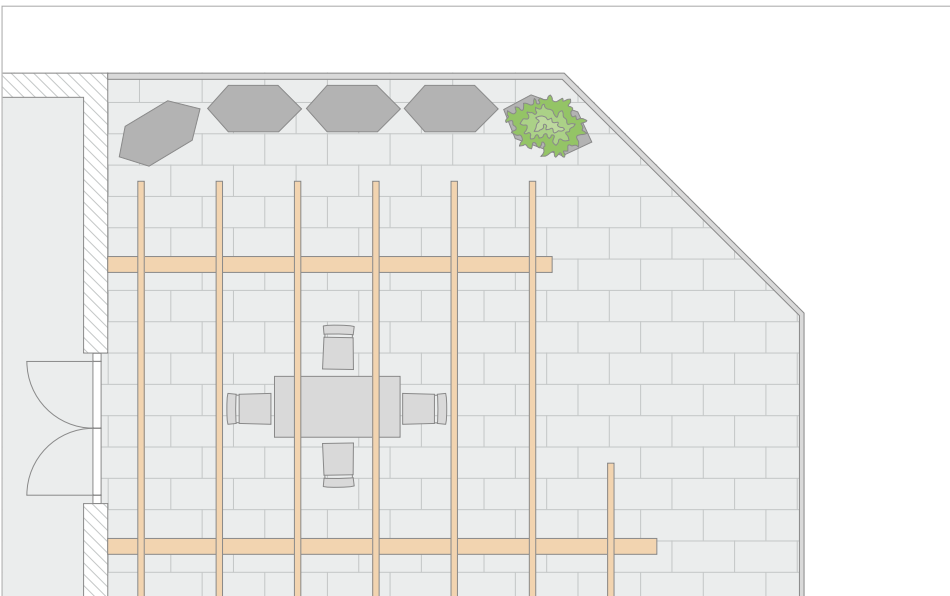
FLORA 



Roof terrace, Como

The two-storey multi-section roof terrace in the centre of Como is surrounded by houses. Several groups of Wing elements give protection against inquisitive glances. The flexible arrangement of the systems permits the ingenious utilisation of free spaces.

There is an uninterrupted view over therooftops as far as the surrounding mountains, and the light from the setting sun shines deepthrough the large front window.



FLORA Wilh. Förster
GmbH & Co. KG

Schmidtsiepen 3
58553 Halver
Germany

Phone +49 (0)2353 9117-0
Fax +49 (0)2353 9117-17
E-Mail info@flora-online.de
Internet www.flora-online.de