

"Walkway" with Floradrain® FD 40-E

Detail:

Door Exit with Drainage Channel

System build-up

- 1.1 Concrete or natural stone slabs, $d \geq 40$ mm
- 1.2 Bedding layer made of stone chippings, poor in lime, 30 - 50 mm
- 1.3 Floradrain® FD 40-E, filled with stone chippings, poor in lime, (diffusion openings facing downwards)
- 1.4 Protection Mat SSM 45
- 1.5 Roof construction with root resistant waterproofing

Note:

The detailed solution shown here refers mainly to the ZinCo System Build-up. The roof construction itself as well as any other constructions are shown schematically and must be planned according to the relevant standards and guidelines.

Project:

-

Version:

28.11.2018 EVo / JGI -

Reviewed:

-

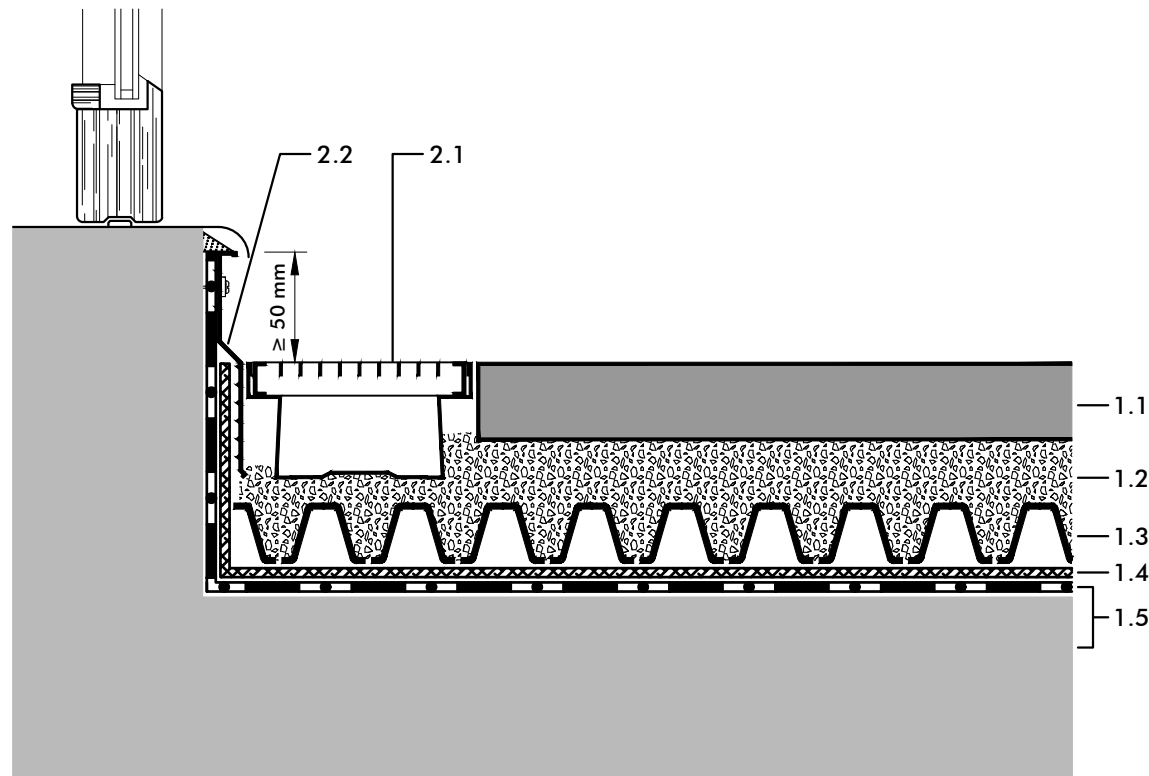
Scale:

none

Size:

A 4

Tuer01_G+F_Geh_FD40_Fd.dwg



2.1 Drainage Channel FR 75

2.2 Clamping and Protection Profile AP 150

Authorized by ZinCo GmbH, Lise-Meitner-Str. 2,
72622 Nuertingen/ Germany; Tel: + +49/7022-6003-0
info@zinco-greenroof.com; www.zinco-greenroof.com



Subject to technical alterations and printing errors.