

Sunset

Michael Koenig 2007

FLORA 



Windowsills, balustrades and niches are among architecture's picturesque features. FLORA's Sunset and Provence are a family of products specifically designed to create greenery where space is in short supply. These timeless aluminium containers with plastic inserts are more than just sturdy and light in weight – they also give the plants optimal protection against the cold or drying out. Sunset is available as a flower box in three sizes, and Provence is a portable herb box for up to three plants.

FLORA Wilh. Förster
GmbH & Co. KG

Schmidtsiepen 3
58553 Halver
Germany

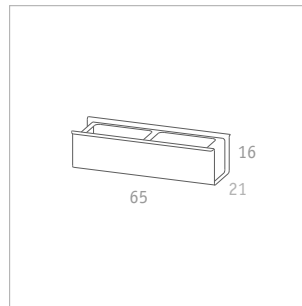
Phone +49 (0)2353 9117-0
Fax +49 (0)2353 9117-17
E-Mail info@flora-online.de
Internet www.flora-online.de

Sunset

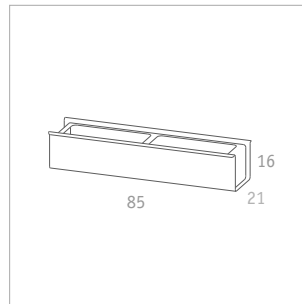
Michael Koenig 2007

FLORA

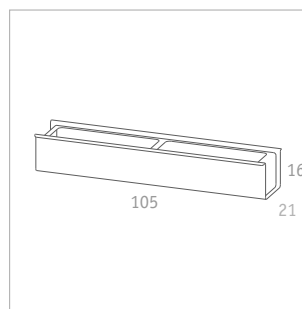
Flower box, aluminium,
powder coated, light grey or
anthracite, with plastic insert



Sunset 60
Weight 2,3 kg



Sunset 80
Weight 3,2 kg



Sunset 100
Weight 3,8 kg

FLORA Wilh. Förster
GmbH & Co. KG

Schmidtsiepen 3
58553 Halver
Germany

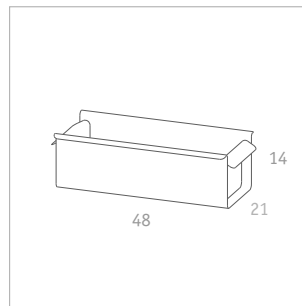
Phone +49 (0)2353 9117-0
Fax +49 (0)2353 9117-17
E-Mail info@flora-online.de
Internet www.flora-online.de

Provence

Michael Koenig 2007

FLORA

Herb box, aluminium, powder coated, light grey or anthracite, with plastic tray inside



Provence
Weight 1,3 kg



FLORA Wilh. Förster
GmbH & Co. KG

Schmidtsiepen 3
58553 Halver
Germany

Phone +49 (0)2353 9117-0
Fax +49 (0)2353 9117-17
E-Mail info@flora-online.de
Internet www.flora-online.de

Sunset

Michael Koenig 2007

FLORA 



FLORA Wilh. Förster
GmbH & Co. KG

Schmidtsiepen 3
58553 Halver
Germany

Phone +49 (0)2353 9117-0
Fax +49 (0)2353 9117-17
E-Mail info@flora-online.de
Internet www.flora-online.de