

Octa

Michael Koenig 2014

FLORA 



The delicate design and colouring give Octa its unique appearance. Thanks to its fine, structured lines, this series sets new standards for high levels of aesthetic quality in elegant surroundings. Three different sizes complement each other perfectly. Each individual planter catches the eye just as much as a group with luxuriant greenery. Various planting inserts are available, for indoor or outdoor use, as appropriate.

FLORA Wilh. Förster
GmbH & Co. KG

Schmidtsiepen 3
58553 Halver
Germany

Phone +49 (0)2353 9117-0
Fax +49 (0)2353 9117-17
E-Mail info@flora.biz
Internet www.flora.biz

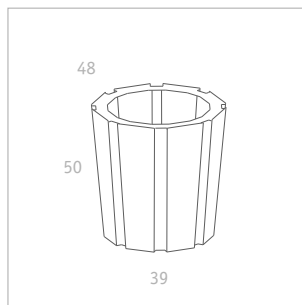
Octa

Michael Koenig 2014

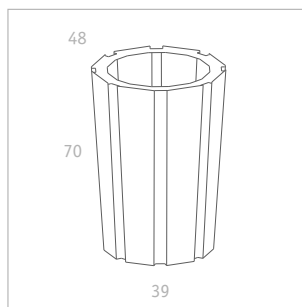
FLORA



Planter in three sizes, aluminium, powder-coated in black with white pattern or white with black pattern, various planting inserts available for indoor or outdoor use



Octa 50
Volume planter 37 l
Planting depth 30 cm
Weight 7 kg



Octa 70
Volume planter 37 l
Planting depth 30 cm
Weight 9 kg

FLORA Wilh. Förster
GmbH & Co. KG

Schmidtsiepen 3
58553 Halver
Germany

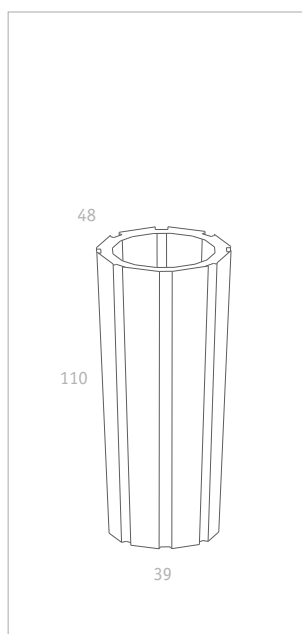
Phone +49 (0)2353 9117-0
Fax +49 (0)2353 9117-17
E-Mail info@flora.biz
Internet www.flora.biz

Octa

Michael Koenig 2014

FLORA

Planter in three sizes, aluminium, powder-coated in black with white pattern or white with black pattern, various planting inserts available for indoor or outdoor use



Octa 110
Volume planter 37 l
Planting depth 30 cm
Weight 13 kg



FLORA Wilh. Förster
GmbH & Co. KG

Schmidtsiepen 3
58553 Halver
Germany

Phone +49 (0)2353 9117-0
Fax +49 (0)2353 9117-17
E-Mail info@flora.biz
Internet www.flora.biz

Octa

Michael Koenig 2014

FLORA 



FLORA Wilh. Förster
GmbH & Co. KG

Schmidtsiepen 3
58553 Halver
Germany

Phone +49 (0)2353 9117-0
Fax +49 (0)2353 9117-17
E-Mail info@flora.biz
Internet www.flora.biz

Octa

Michael Koenig 2014

FLORA 



FLORA Wilh. Förster
GmbH & Co. KG

Schmidtsiepen 3
58553 Halver
Germany

Phone +49 (0)2353 9117-0
Fax +49 (0)2353 9117-17
E-Mail info@flora.biz
Internet www.flora.biz

Planting inserts

Removable planter inserts made of high-quality aluminium are a standard fitting for every FLORA plant container, only the intended use determines whether a water-permeable or a water-proof insert is the right choice, the double-wall design, which creates a layer of air between the plant container and the planter insert, ensures that the root system is protected against heat and frost

FLORA



Using plants outdoors

Ventilation slits for oxygen in the root systems, water reservoir, insulating air layer for protection against heat, drying out or frost



Using plants indoors

Watertight, light aluminium, optionally with water reservoir and water level indicator

FLORA Wilh. Förster
GmbH & Co. KG

Schmidtsiepen 3
58553 Halver
Germany

Phone +49 (0)2353 9117-0
Fax +49 (0)2353 9117-17
E-Mail info@flora.biz
Internet www.flora.biz