

"Walkway" with Elefeet®

Detail:
Roof Outlet with Drainage Grill

System build-up

- 1.1 Concrete or natural stone slabs, $d \geq 40 \text{ mm}$ *)
- 1.2 Elefeet® Pedestals, height adjustable
(The integrated joint spacer partly need to be removed and if necessary, be replaced by additional joint spacers.)
- 1.3 Elastosafe ES 30 (additional separating layer, e.g. TGF 20 or TGV 21 in case of material incompatibility, where applicable)
- 1.4 Suitable roof construction with root resistant waterproofing (with pressure resistant insulation, if required)

*) Other slab heights are possible if approved by the manufacturer.

Maximum Elefeet® spacing (axial dimension):
600 x 600 mm

Note:

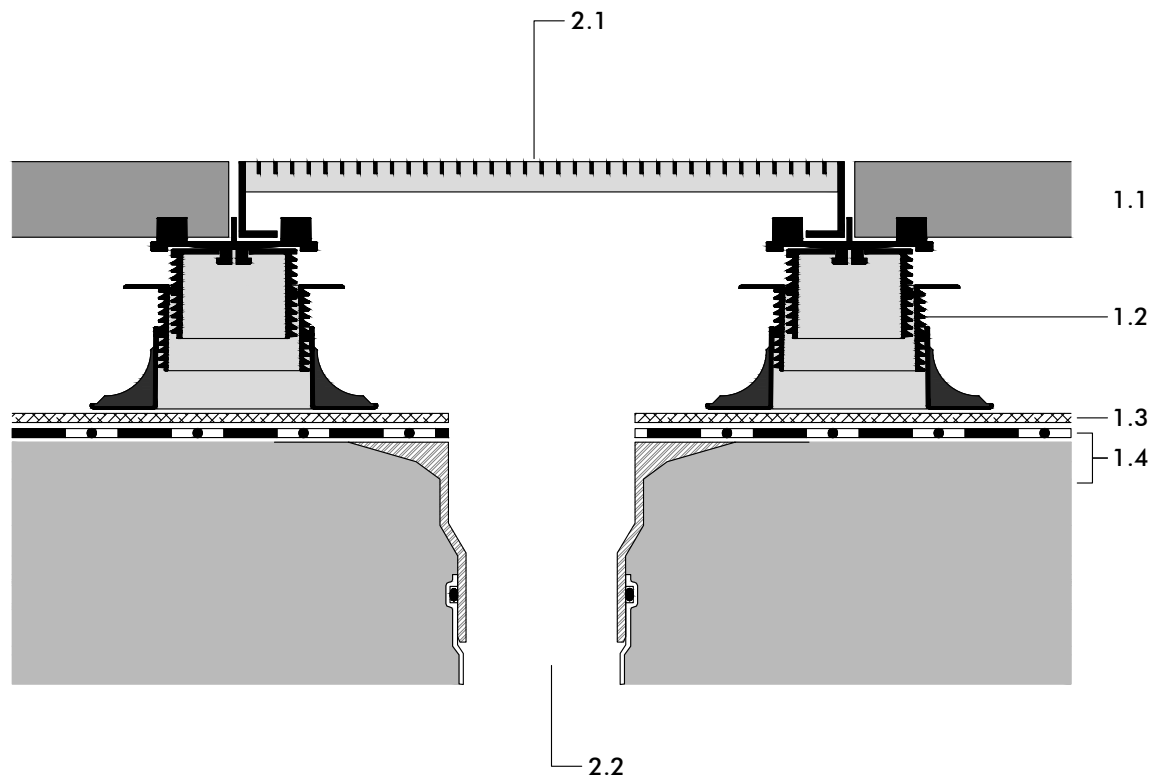
The detailed solution shown here refers mainly to the ZinCo System Build-up. The roof construction itself as well as any other constructions are shown schematically and must be planned according to the relevant standards and guidelines.

Project:

-

Version:	Reviewed:	Scale:	Size:
14.01.2019	JGI/ EVo	-	A 4

Entw01_G+F_Elef_Fd.dwg



2.1 Drainage Grill TR-F 400 x 400 x 50

2.2 Roof Outlet

Authorized by ZinCo GmbH, Lise-Meitner-Str. 2,
72622 Nuertingen/ Germany; Tel: ++49/7022-6003-0
info@zinco-greenroof.com; www.zinco-greenroof.com

Subject to technical alterations and printing errors.

