

ANRIN SPORT Construction Elements

Drainage and edging of sport facilities



04 ANRIN SPORT Construction elements

Suitability/Conformity/Applications

06 ANRIN SPORT System overview

With a look at the right product

08 ANRIN SPORT Drainage system 125 type A/B, E/F

for arenas with a raised playing field

10 ANRIN SPORT Drainage system 125 slotted channel type C.1-C.4

for arenas with a raised playing field on equal level (design for in-situ covering)

12 ANRIN SPORT Drainage system 125 slotted channel type C.5-C.8

for arenas with a raised playing field on equal level (design for covering with track surface)

14 ANRIN SPORT Turf edge plate

for enclosing tracks with synthetic covering

16 ANRIN SPORT Tray channel

for arenas type C and D

18 ANRIN SPORT Tray channel

for arenas type C and D (design with matched joint for arenas with synthetic covering)

20 ANRIN SPORT Drainage system NW 100 Artificial Turf

for rectangular artificial turf playing fields and artificial turf playing fields in arenas

22 ANRIN SPORT Clamp stone and clamp rail

for edging of synthetic turf playing fields in combination with pavement, edge blocks or channels

24 ANRIN SPORT Soft kerbing

for edging of tracks, playing fields and long jump pits

26 ANRIN SPORT Sand collecting channel

for collecting sand from long jump pits

28 ANRIN SPORT Spot intake

for spot drainage in edging and tracks with special radii

30 ANRIN SPORT Cable distributor shaft

for permanent and temporary cabling of sport facilities



ANRIN - The drainage system

At our central production and logistics location in the North Rhine-Westphalian city of Anröchte, we have been developing and producing innovative drainage channels made of resin concrete and cover gratings for all physical and visual demands of modern channel drainage since 1972.

Thanks to our especially efficient distribution, we are able to supply any construction site in Germany in less than 48 hours as well as many other countries within just a few days. Always new, creative and patented channel and grating systems give our demanding construction managers, architects, tradesmen and specialist dealers the safe and secure feeling that they have made the right choice for the long term.

Millions of installed metres of channel and certification according to DIN EN ISO 9001 serve as assurance of the high quality of our owner-operated family company. We place a special emphasis on technical and application-based consultation, with the goal of continuously finding the best solution for your individual construction project. Put our expertise to the test and contact us.



ANRIN SPORT Construction elements made of resin concrete

ANRIN resin concrete – the material comprised of naturally occurring mineral quartzes and resin is distinguished by its structural and environmental benefits.

In comparison with conventional, cement-bound materials, resin concrete allows for unit weights which are much easier to handle. By processing the material on the construction site, time and money are saved.

The high quality of the individual components as well as the closed material matrix make the ANRIN resin concrete

impermeable to liquid and highly resistant to corrosion as well as a number of substances.

As a result, drainage areas can be designed which purposefully drain off surface water and the ground water can be reliably protected against environmental pollution.

Advantages/technical features of resin concrete

Dimensional accuracy:	Due to the short hardening time of resin concrete, the shrinkage is approx. 0.1 %.
Temperature resistance:	The heat deformation resistance of up to 150 °C is always guaranteed, particularly for asphaltting. Regardless of this, the installation instructions must be observed in regard to the foundation dimensioning.
Heat expansion:	The heat expansion coefficient for resin concrete is $a = 10 \text{ to } 12 \times 10^{-5} \text{ l/k}$ in the order of magnitude of concrete. Therefore, expansion joints must be provided in the channel string depending like with concrete elements, depending on the quantity and size.
Dimensional stability:	The dimensional stability during the construction phase is guaranteed with observance of the installation instructions (foundation, installed spacers and cover).
Toxicological innocuousness:	Due to its material matrix in the hardened state, the material concrete resin is classified as toxicologically innocuous. After the end of the intended duration of use, the products can be recycled as construction rubble.

- 1 Tray channel – sport field, Babenhäuser Landstraße (FFM)
- 2 Synthetic turf drainage – sport field, Hahnstrasse (FFM)
- 3 Track drainage with NW 125 slotted channels – sport field, Langenselbold
- 4 Sand collecting channel – sport field, Langenselbold
- 5 Clamp rail – sport field, Heidelberg
- 6 Track drainage with tray channels – sport field, Frankfurt



Innovations

For over 40 years ANRIN has innovatively, competently and successfully dedicated itself to drainage technology for sport field construction.

Pioneering systems like the screwless artificial turf clamping were introduced and improved by ANRIN. Drainage of arenas, delimiting of tracks and edging of shot enclosures and jump pits complete the ANRIN SPORT product range.

Numerous national and international sporting facilities are already equipped with ANRIN SPORT construction elements and communicate the experience that designers, dealers and contractors can build on.

Proof of conformity

All ANRIN SPORT construction elements comply with the requirements of the IAAF, International Amateur Athletic Federation, for the construction of tracks and playing fields.

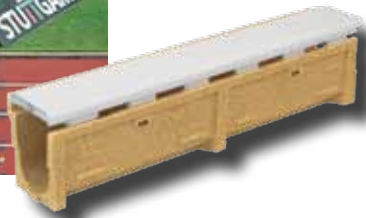
The requirements according to the IAAF Manual, chapter 3, Construction of the Track and Playing Field Section 3.5.3 Surface Drainage Requirements and Construction are adhered to by the products manufactured by ANRIN.

Proof of suitability for ANRIN SPORT construction elements

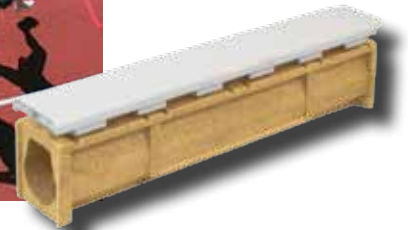
All ANRIN SPORT construction elements comply with the requirements of DIN 18035 Sport fields/drainage.



ANRIN SPORT Drainage and edging of arenas



ANRIN SPORT Drainage system 125 type A/B, E/F for arenas with a raised playing field.
[More information on pages 8–9](#)



ANRIN SPORT Drainage system 125 slotted channel type C.1–C.8 for arenas with a raised playing field on equal level.
[More information on pages 10–13](#)



ANRIN SPORT Tray channel for arenas type C and D
[More information on pages 16–19](#)



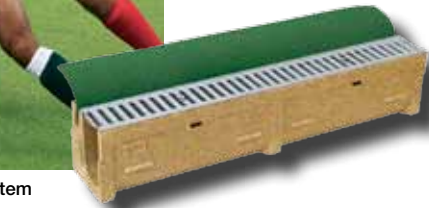
ANRIN SPORT Cable distributor shaft
[More information on pages 30–31](#)



ANRIN SPORT Drainage and edging of artificial turf fields



ANRIN SPORT Drainage system
NW 100 synthetic turf
[More information on pages 20–21](#)



ANRIN SPORT Clamp systems
[More information on pages 22–23](#)



ANRIN SPORT Spot intake
[More information on pages 28–29](#)

ANRIN SPORT Edging of playing and sport surfaces



ANRIN SPORT Soft kerbing
and sand collecting channel
[More information on pages 24–27](#)



**ANRIN SPORT Drainage system 125
for arenas with raised playing field**

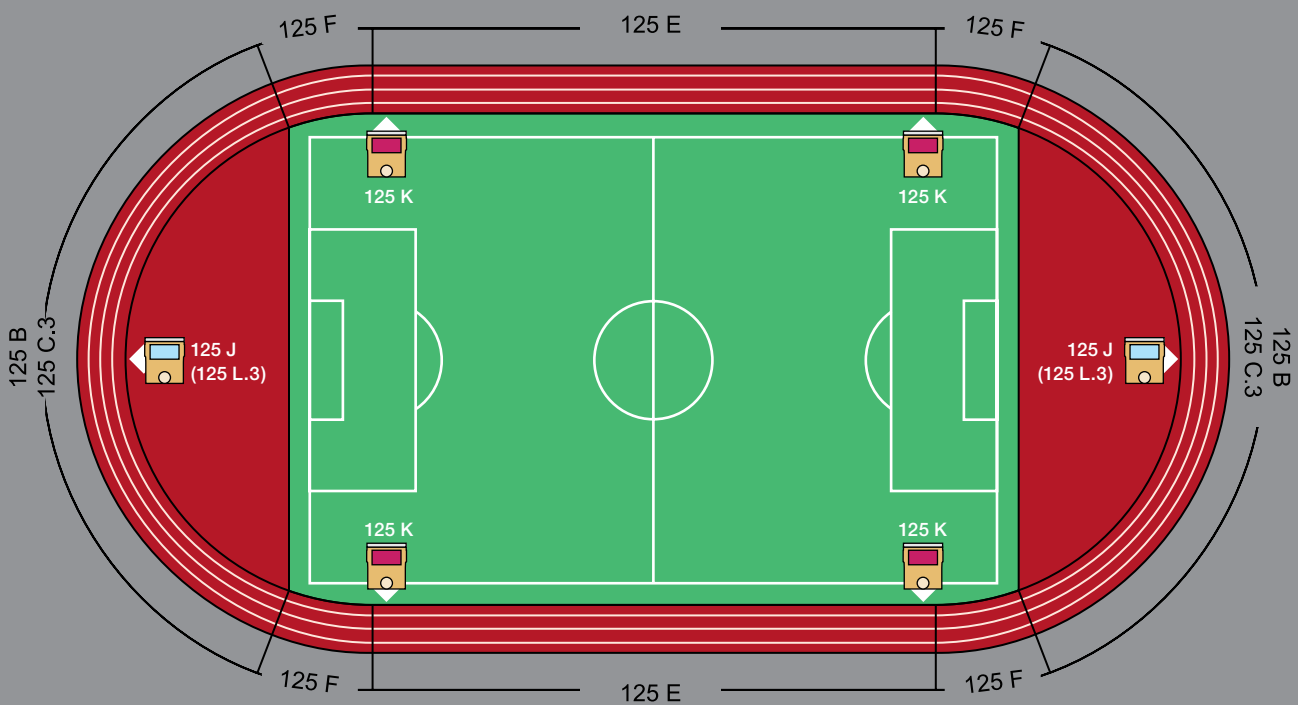
- ① **Channel 125 A/B**
without upturn
straight/curved (R = 36.5m)
- ② **Channel 125 E/F**
with upturn on one side
straight/curved (R = 36.5 m)
- ③ **Plastic cover**
PE-HD, white,
straight/curved (R = 36.5 m)
- ④ **Sump unit 125 J**
without upturn
Perforations DA/OD 110/160
- ⑤ **Sump unit 125 K**
with upturn on one side
Perforations DA/OD 110/160,





Areas of application

Arenas with raised playing field and/or segments

Tracks with raised auxiliary surfaces



 Sump unit with 4cm upturn

 Sump unit without upturn

For drainage of arenas with elevated turf playing fields, open channels with upturn on one side are used. In the segment area, open channels without upturn are used, because the track and segments are normally on the same level.

According to DIN 18035 and the international track and field regulations, the track must have a delimitation on the inside that is at least 5 cm wide and 5 cm high.

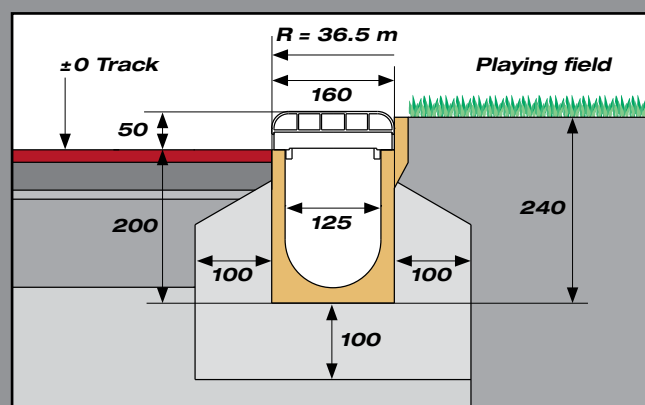
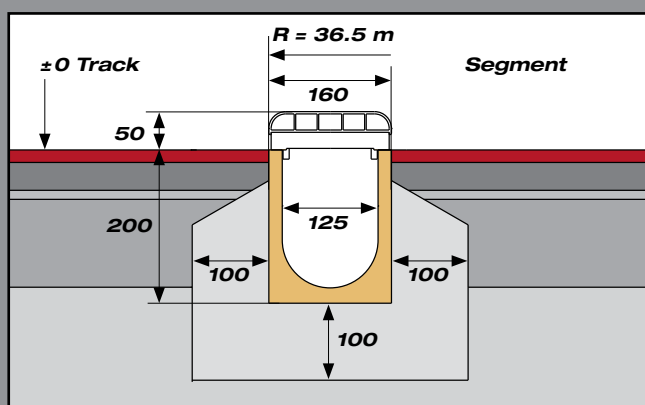
The resin concrete channel body and PE-HD plastic cover combine for an advantageous combination of drainage and track delimitation in the ANRIN SPORT Drainage System NW 125.

ANRIN SPORT Drainage system 125, open channel

Channel type 125 A, without upturn, in the straight-away	Item 04111000
Plastic cover, straight	Item 04370000
Channel type 125 B, without upturn, in the field/segment transition area and/or in the segment	Item 04112000
Plastic cover, curved	Item 04371000
Alternative for equal level covering:	
Channel type 125 C.3, slotted channel, in the segment	Item 04112310
Plastic cover, curved	Item 04374000
Channel type 125 E, with upturn, in the straight-away	Item 04113000
Plastic cover, straight	Item 04370000
Channel type 125 F, with upturn, in the playing field/segment transition area	Item 04114000
Plastic cover, curved	Item 04371000
Sump unit type 125 J, without upturn, in the segment	Item 04117000
Sump unit type 125 K, with upturn, in the straight-away	Item 04118000

Specifications	125 A/B	125 E/F	Sump unit	Cover
Material	Resin concrete	Resin concrete	Resin concrete	Plastic
Length	100 cm	100 cm	50 cm	100 cm
Width	16.0 cm	17.5 cm	16.0–17.5 cm	16.0 cm
Height	20.0 cm	24.0 cm	58.5–62.5 cm	5.0 cm
Weight	16.0 kg	18.0 kg	29.0–29.6 kg	

Example installations



ANRIN SPORT Drainage system 125

Channel 125 A/B

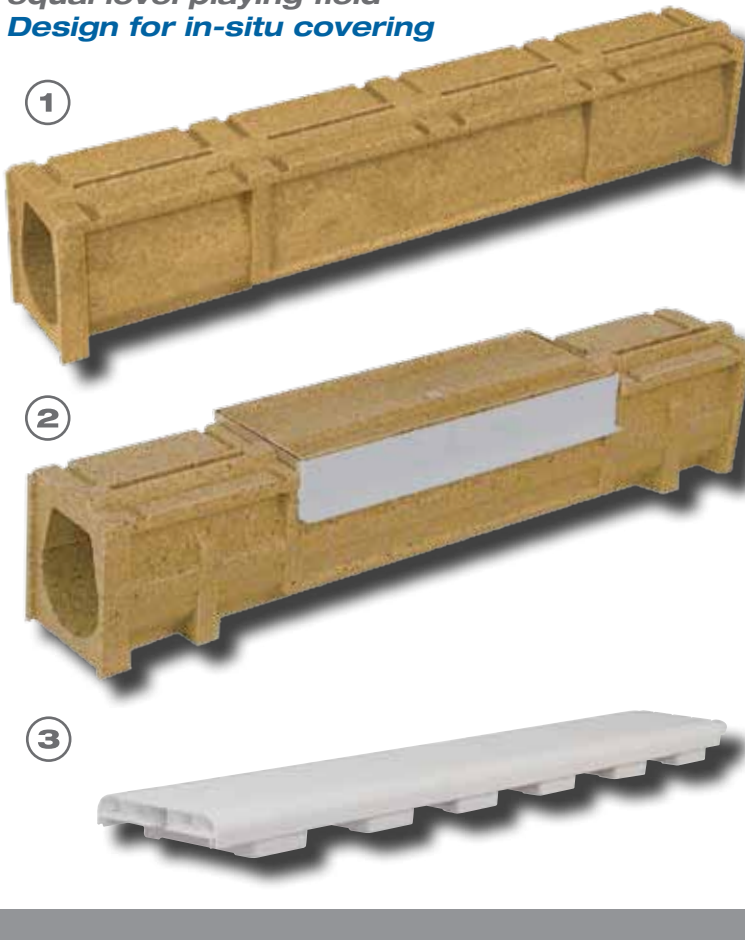
- Straight/curved
- White plastic cover

ANRIN SPORT Drainage system 125

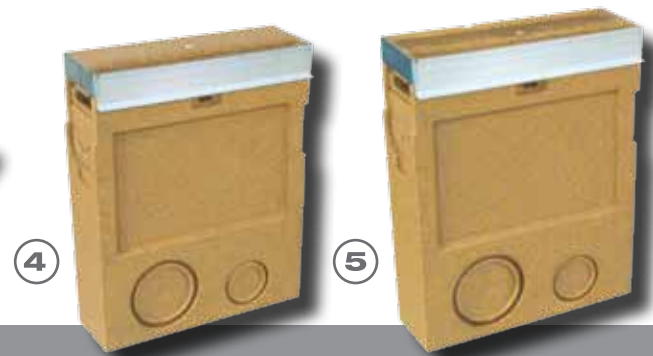
Channel 125 E/F

- Straight/curved
- White plastic cover

ANRIN SPORT Drainage system 125
slotted channel for arenas with
equal level playing field
Design for in-situ covering



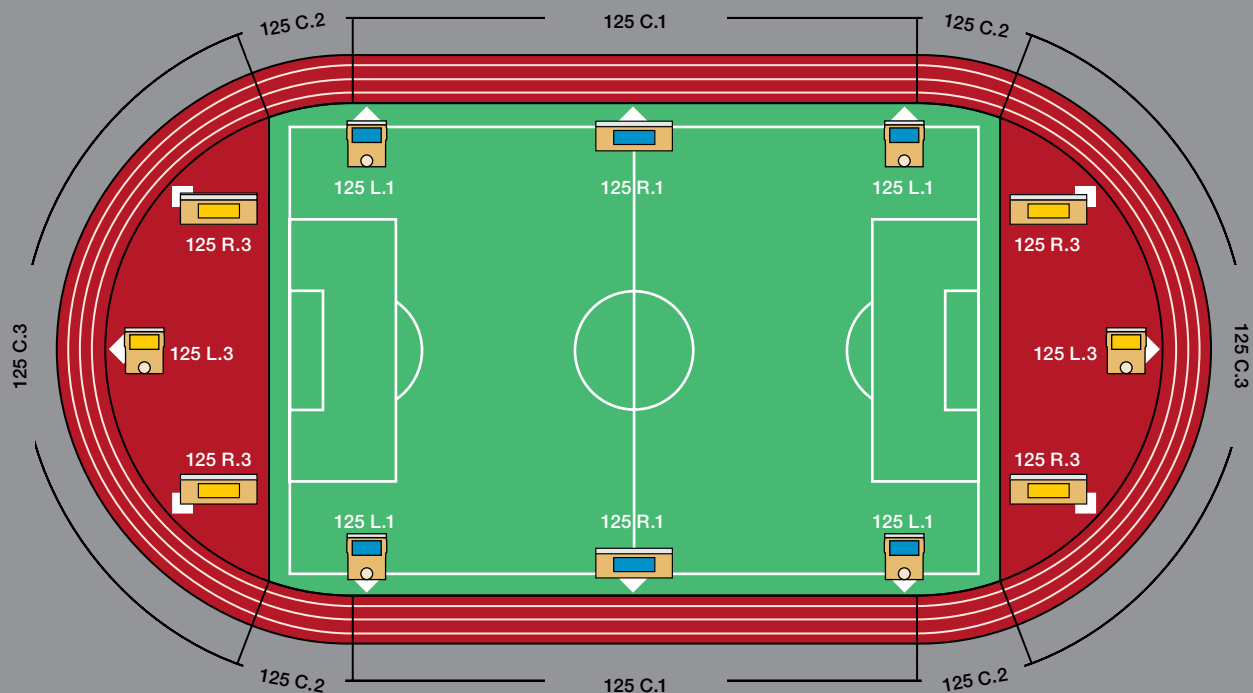
- ① **Channel 125 C.1-C.4**
with claw grooves
coatable on one/both sides
straight/curved (R = 36.5m)
- ② **Channel 125 R.1-R.4**
Channel with inspection opening,
with claw grooves
coatable on one/both sides
straight/curved (R = 36.5m)
- ③ **Plastic cover**
PE-HD, white, mobile,
straight/curved (R = 36.5 m)
- ④ **Sump unit 125 L.1**
with aluminium angle frame and
slotted cover coatable on one side,
with PE sludge bucket and perforations
DA/OD 110/160
- ⑤ **Sump unit 125 L.3**
with aluminium angle frame and
slotted cover coatable on both sides,
with PE sludge bucket and
DA/OD 110/160 perforations



Areas of application

Arenas with equal level of playing field, track and/or segments

Bundeswehr Sports Facilities



- Sump unit with cover coatable on one side
- Channel with inspection opening coatable on one side
- Sump unit with cover coatable on both sides
- Channel with inspection opening coatable on both sides

Slotted channels C.1-C.4

Top side with claw grooves, for *in-situ coverings*.

Slotted channels R.1-R.4

with inspection opening, for cleaning the channel string.

For the increasing number of arenas with equal-level playing fields, the ANRIN SPORT drainage system NW125 slotted channel was developed. This system guarantees a high degree of variability in relation to various facility areas. The avoidance of tripping edges increases the convenience of use and simplifies care.

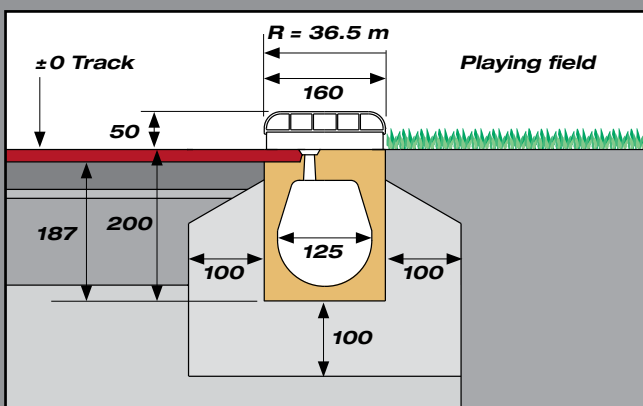
In order to conform with the regulations of the international track and field association, it is sufficient, when necessary (e.g. in the event of a competition), to provide the channel bodies along the inside of the track with a mobile edge rail or plastic cover.

ANRIN SPORT Drainage system 125 slotted channel, for in-situ coverings

Channel type 125 C.1, straight, coatable on one side, in the straight-away	Item 04112110
Channel type 125 C.2, curved, coatable on one side, in the playing field/segment transition area	Item 04112210
Channel type 125 C.3, curved, coatable on both sides, in the segment	Item 04112310
Channel type 125 C.4, straight, coatable on both sides, in the straight-away	Item 04112410
Channel type 125 R.1, straight, coatable on one side, with inspection opening, in the straight-away	Item 04112120
Channel type 125 R.2, curved, coatable on one side, with inspection opening, in the playing field/segment transition area	Item 04112220
Channel type 125 R.3, curved, coatable on both sides, with inspection opening, in the segment	Item 04112320
Channel type 125 R.4, straight, coatable on both sides, with inspection opening, in the straight-away	Item 04112420
Sump unit type 125 L.1, with slotted cover, coatable on one side, in the straight-away	Item 04119010
Sump unit type 125 L.3, with slotted cover, coatable on both sides, in the straight-away	Item 04119030
Plastic cover, PE-HD, white, mobile, straight	Item 04373000
Plastic cover, PE-HD, white, mobile, curved	Item 04374000

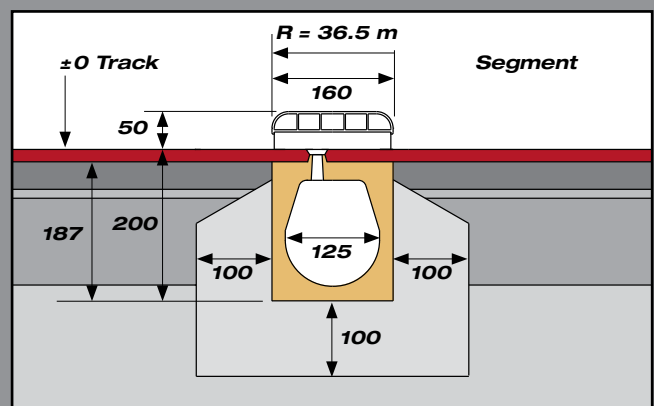
Specifications	125 C.1-C.4	125 R.1-R.4	Sump unit	Cover
Material	Resin concrete	Resin concrete	Resin concrete	Plastic
Length	100 cm	100 cm	50 cm	100 cm
Width	16.0 cm	16.0 cm	16.0 cm	16.0 cm
Height	18.7-20.0 cm	18.7-20.0 cm	63.5	5.0 cm
Weight	22.5-25.0 kg	24.0-29.0 kg	29.9 kg	

Example installations



ANRIN SPORT Drainage system 125 slotted channel
Channel 125 C.1/C.2
Channel 125 R.1/R.2

- Straight/curved
- White plastic cover
- Coatable on one side



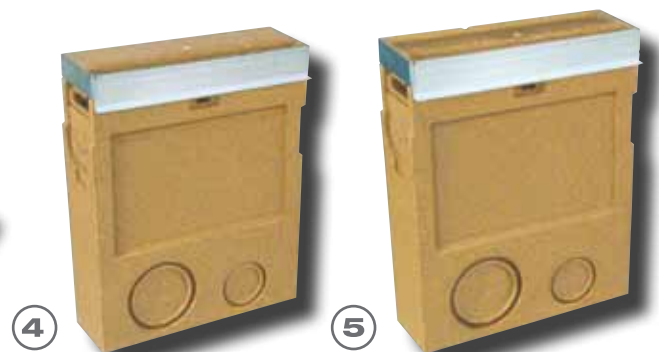
ANRIN SPORT Drainage system 125 slotted channel
Channel 125 C.3/C.4
Channel 125 R.3/R.4

- Straight/curved
- White plastic cover
- Coatable on both sides

ANRIN SPORT Drainage system 125
slotted channel for arenas with
equal level playing field
Design with level surface for
coating with track surface



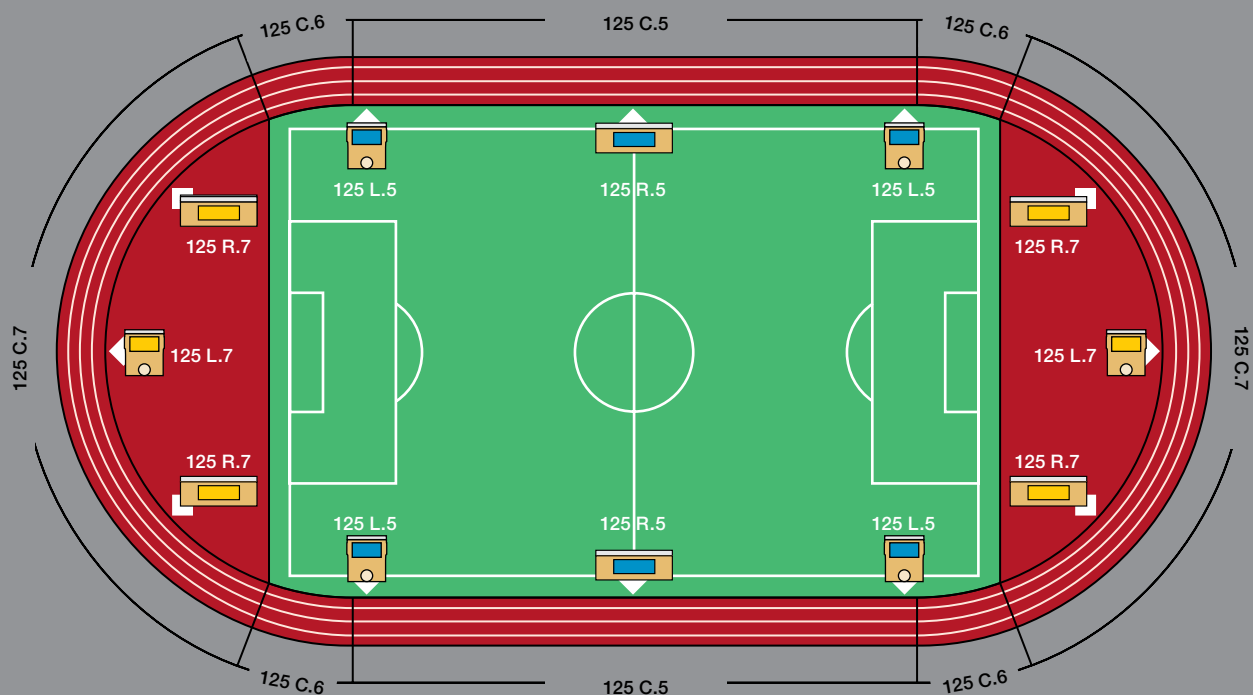
- ① **Channel 125 C.5-C.8**
coatable on one/both sides,
straight/curved (R = 36.5 m)
- ② **Channel 125 R.5-R.8**
Channel with inspection opening
coatable on one/both sides,
straight/curved (R = 36.5 m)
- ③ **Plastic cover**
PE-HD, white, mobile,
straight/curved (R = 36.5 m)
- ④ **Sump unit 125 L.5**
with aluminium angle frame and
slotted cover coatable on one side,
with PE sludge bucket and
DA/OD 110/160 perforations
- ⑤ **Sump unit 125 L.7**
with aluminium angle frame and
slotted cover coatable on both sides,
with PE sludge bucket and
DA/OD 110/160 perforations



Areas of application

Arenas with equal level of playing field, track and/or segments

Bundeswehr Sports Facilities



-  Sump unit with cover
coatable on one side
-  Channel with inspection
opening coatable on one side
-  Sump unit with cover
coatable on both sides
-  Channel with inspection
opening coatable on both sides

Slotted channels C.5–C.8

level top side, for covering with track material.

Slotted channels R.5–R.8

with inspection opening, for cleaning the channel string.

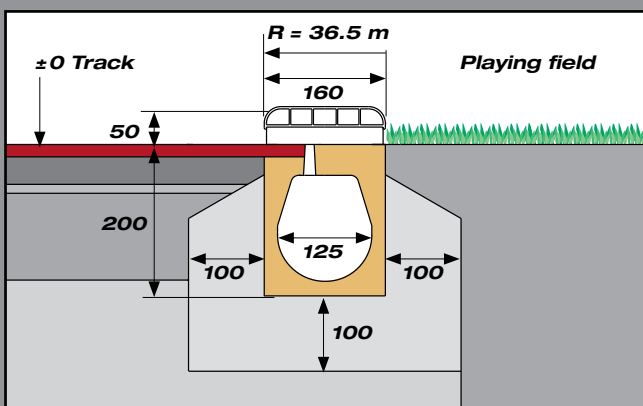
For the increasing number of arenas with equal-level playing fields, the ANRIN SPORT drainage system NW125 slotted channel was developed. This system guarantees a high degree of variability in relation to various facility areas. The avoidance of tripping edges increases the convenience of use and simplifies care.

In order to conform with the regulations of the international track and field association, it is sufficient, when necessary (e.g. in the event of a competition), to provide the channel bodies along the inside of the track with a mobile edge rail or plastic cover.

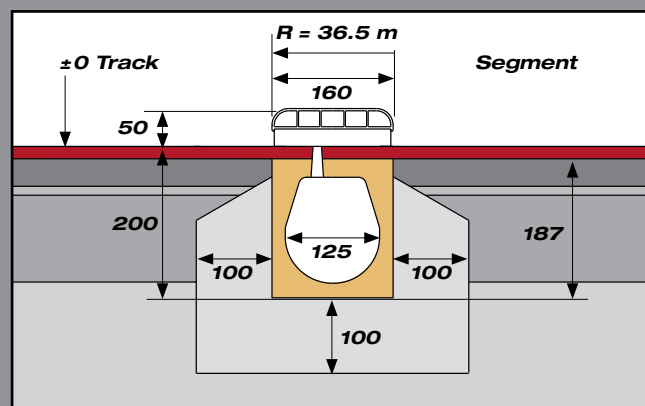
ANRIN SPORT Drainage system 125 slotted channel for coatings with track material	
Channel type 125 C.5, straight, coatable on one side, in the straight-away	Item 04112510
Channel type 125 C.6, curved, coatable on one side, in the playing field/segment transition area	Item 04112610
Channel type 125 C.7, curved, coatable on both sides, in the segment	Item 04112710
Channel type 125 C.8, straight, coatable on both sides, in the straight-away	Item 04112810
Channel type 125 R.5, straight, coatable on one side, with inspection opening, in the straight-away	Item 04112520
Channel type 125 R.6, curved, coatable on one side, with inspection opening, in the playing field/segment transition area	Item 04112620
Channel type 125 R.7, curved, coatable on both sides, with inspection opening, in the segment	Item 04112720
Channel type 125 R.8, straight, coatable on both sides, with inspection opening, in the straight-away	Item 04112820
Sump unit type 125 L.5, with slotted cover, coatable on one side, in the straight-away	Item 04119050
Sump unit type 125 L.7, with slotted cover, coatable on both sides, in the straight-away	Item 04119070
Plastic cover, PE-HD, white, mobile, straight	Item 04373000
Plastic cover, PE-HD, white, mobile, curved	Item 04374000

Specifications	125 C.5–C.8	125 R.5–R.8	Sump unit	Cover
Material	Resin concrete	Resin concrete	Resin concrete	Plastic
Length	100 cm	100 cm	50 cm	100 cm
Width	16.0 cm	16.0 cm	16.0 cm	16.0 cm
Height	18.7–20.0 cm	18.7–20.0 cm	63.5	5.0 cm
Weight	22.5–26.0 kg	24.0–26.0 kg	29.9 kg	

Example installations



ANRIN SPORT Drainage system 125 slotted channel
 Channel 125 C.5/C.6
 Channel 125 R.5/R.6
 • Straight/curved
 • White plastic cover
 • Coatable on one side



ANRIN SPORT Drainage system 125 slotted channel
 Channel 125 C.7/C.8
 Channel 125 R.7/R.8
 • Straight/curved
 • White plastic cover
 • Coatable on both sides

ANRIN SPORT Turf edge plate for enclosing tracks with synthetic covering

- ① **Turf edge plate**
with 4 bracket anchors,
claw grooves
straight/curved (R = 44.10 m)
- ② **Turf edge plate**
front view

①



②



ANRIN SPORT turf edge plate made of resin concrete is a special construction for the outside enclosing of tracks in arenas. The one-sided claw groove enables the exact handling of

the synthetic covering. For simple and clean installation, the front ends are fitted with a tongue and groove system. The profiled underside of the turf edge plate and 4 symmetrically arranged

bracket anchors guarantee a long-lasting and frost-proof connection to the strip foundation.

ANRIN SPORT Turf edge plate

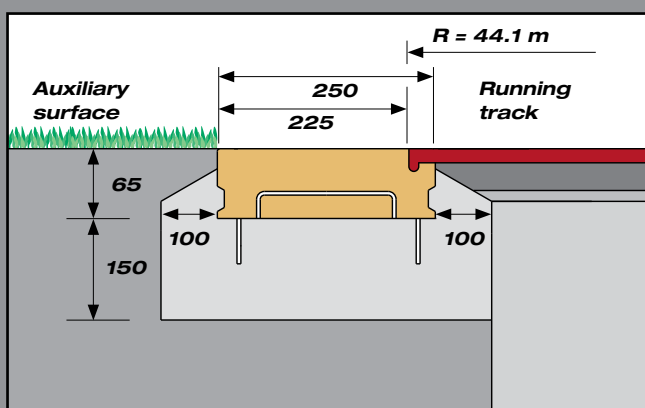
Turf edge plate, straight, with 4 bracket anchors, claw grooves	Item 04204500
Turf edge plate, curved (R = 44.10m), with 4 bracket anchors, claw grooves	Item 04204600

Specifications	Turf edge plate	Turf edge plate, curved, R = 44.1 m
Material	Resin concrete	Resin concrete
Length	100 cm	100 cm
Width	25.0 cm	25.0 cm
Height	6.5 cm	6.5 cm
Weight	19.0 kg	19.0 kg

Areas of application

- Outside edging of tracks in arenas
- Edging of playing surfaces

Example installations



ANRIN SPORT Turf edge plate

- With 4 bracket anchors
- Claw groove
- Straight/curved (R = 44.1 m)

SERVICE

ANRIN provides custom solutions and possibilities for sports facility construction. Here you benefit from reliable cooperation with our technical office staff and good contact with the field staff. ANRIN is certified according to DIN EN ISO 9001.

ANRIN DIRECT CONTACT: +49 (0) 29 47.97 81-0



ANRIN SPORT Drainage system tray channel for arenas, type C and D

- ① **Tray channel**
closed, straight,
with 2 bracket anchors
- ② **Tray channel**
front view
- ③ **Sump unit**
in tray form
with inner-lying OvalGrip compound grating
with PE bucket and drain DA/OD 110

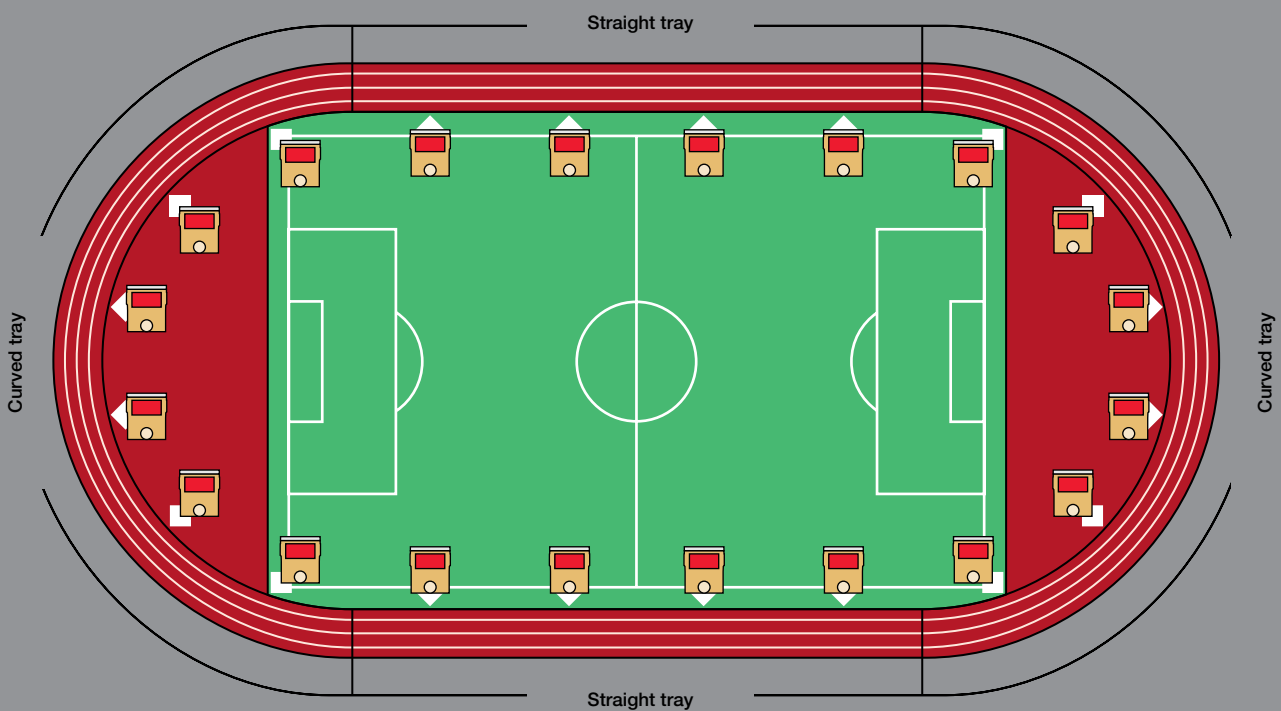



Areas of application

Arenas with a raised playing field on equal level

Playing fields and sport surfaces with turf/synthetic and turf/threshing covering combinations

Sand or granulate-filled artificial turf fields



 Sump unit for tray channels

ANRIN SPORT tray channels made of resin concrete, with a flat and open cross-section, are an intelligent alternative for the drainage of sports facilities with unattached surfaces.

As a channel without cover which is easy to clean, it is a safe and clean solution as a playing field delimiter due to the optimised height/width ratio. Each channel is equipped with 2 bracket anchors which guarantee a stable connection with the subsurface.

Installation takes place in a concrete bed of 15x35 cm; expansion joints every 20 m.

Installation takes place in a concrete bed of 15x35 cm; expansion joints every 20 m.

ANRIN SPORT Tray channel

Tray channel straight, L = 100 cm, in the straight-away	Item 04211010
Tray channel curved, R = 36.5 m, in the playing field/segment transition area and in the segments	Item 04212010
OvalGrip compound grating, PA, L = 50 cm, for insertion in the sump unit	Item 01004140
Sump unit with PE bucket and DA/OD 110 perforation with sealing ring	Item 04215000

Specifications	Tray channel	Sump unit
Material	Resin concrete	Resin concrete
Length	100 cm	50 cm
Width	25.0 cm	25.0 cm
Height	7.0 cm	37.5 cm
Weight	19.0 kg	22.0 kg

Example installations

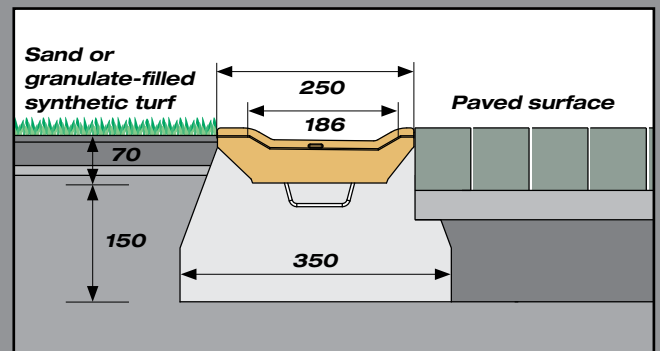
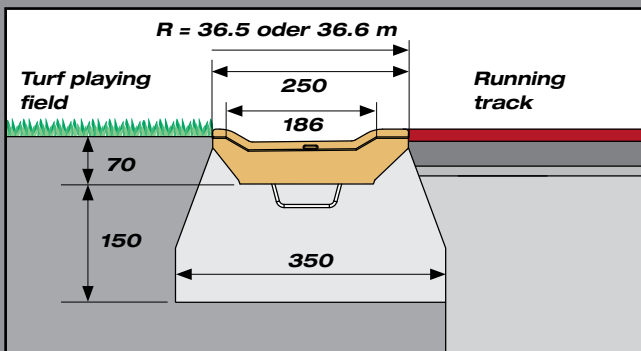


Image above
ANRIN SPORT Tray channel

- With 2 bracket anchors
- Straight/curved (R=36.5 m)

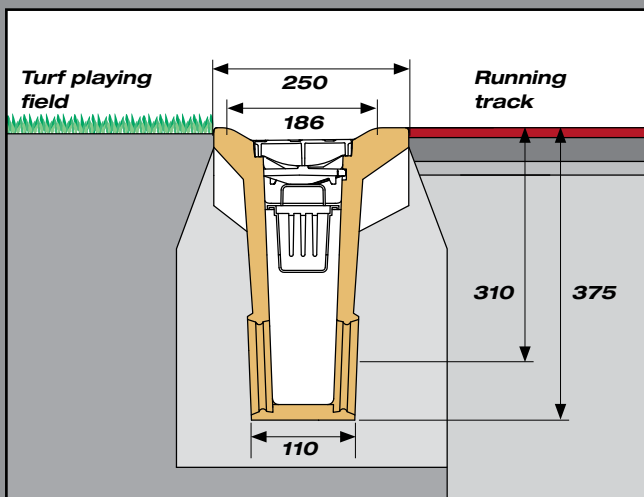


Image below
ANRIN SPORT Sump unit tray channel

- With matching tray channel
- With inner-lying OvalGrip compound grating
- With PE bucket and DA/OD 110 perforation
- Pipe connection optionally to the left or right
- Optionally available with cap face matching expansion joint bands

ANRIN SPORT Drainage system tray channel for arenas, type C and D
Design with claw groove for arenas with synthetic covering

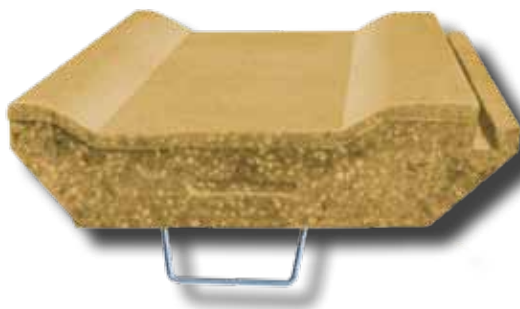
① **Tray channel**
closed, straight, with 2 bracket anchors.
Version with claw groove

② **Tray channel**
front view, version with claw groove

③ **Sump unit**
in tray channel with claw groove
with inner-lying OvalGrip compound grating
with PE bucket and drain DA/OD 110



①



②



③

Areas of application

Arenas with a raised playing field on equal level

Playing fields and sport surfaces with turf/synthetic covering combinations

Sand or granulate-filled artificial turf fields



ANRIN SPORT tray channels made of resin concrete, with a flat and open cross-section, are an intelligent alternative for the drainage of sports facilities with unattached surfaces.

As a channel without cover which is easy to clean, it is a safe and clean solution as a playing field delimiter due to the optimised height/width ratio. Each channel is equipped with 2 bracket anchors which guarantee a stable connection with the subsurface.

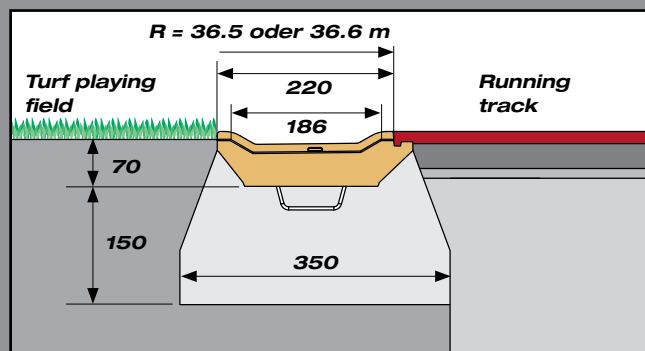
Installation takes place in a concrete bed of 15x35 cm; expansion joints every 20 m.

ANRIN SPORT Tray channel

Tray channel straight, L = 100 cm, in the straight-away	Item 04211020
Tray channel curved, R = 36.5 m, in the playing field/segment transition area and in the segments	Item 04212020
OvalGrip compound grating, PA, L = 50 cm, for insertion in the sump unit	Item 01004140
Sump unit with PE bucket and DA/OD 110 perforation with sealing ring	Item 04215001

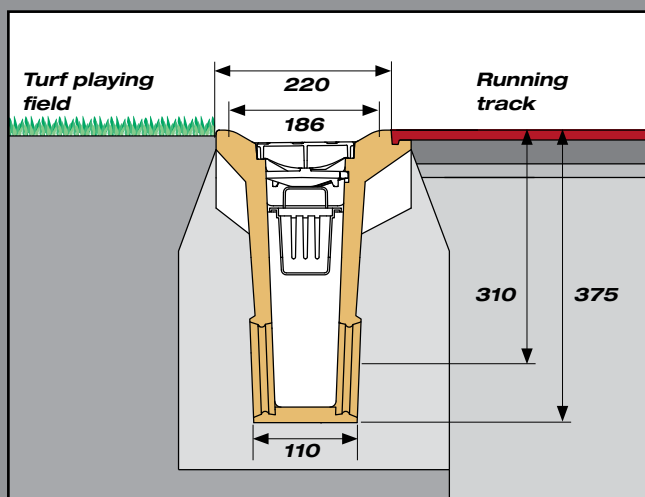
Specifications	Tray channel	Sump unit
Material	Resin concrete	Resin concrete
Length	100 cm	50 cm
Width	25.0 cm	25.0 cm
Height	7.0 cm	37.5 cm
Weight	19.0 kg	22.0 kg

Example installations



ANRIN SPORT Tray channel

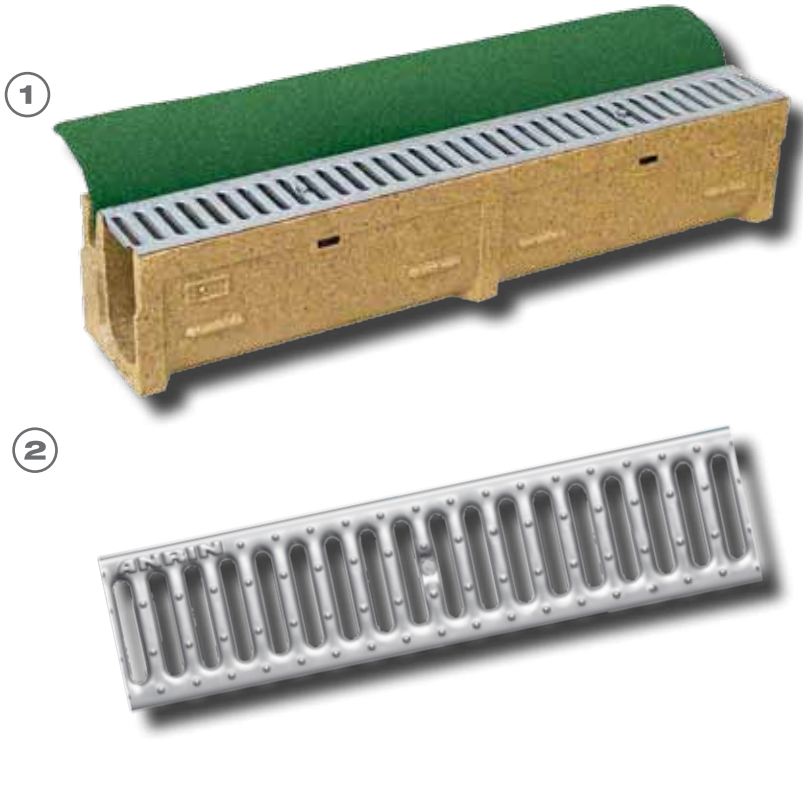
- With 2 bracket anchors
- Claw groove
- Straight / curved (R = 36.5 m)



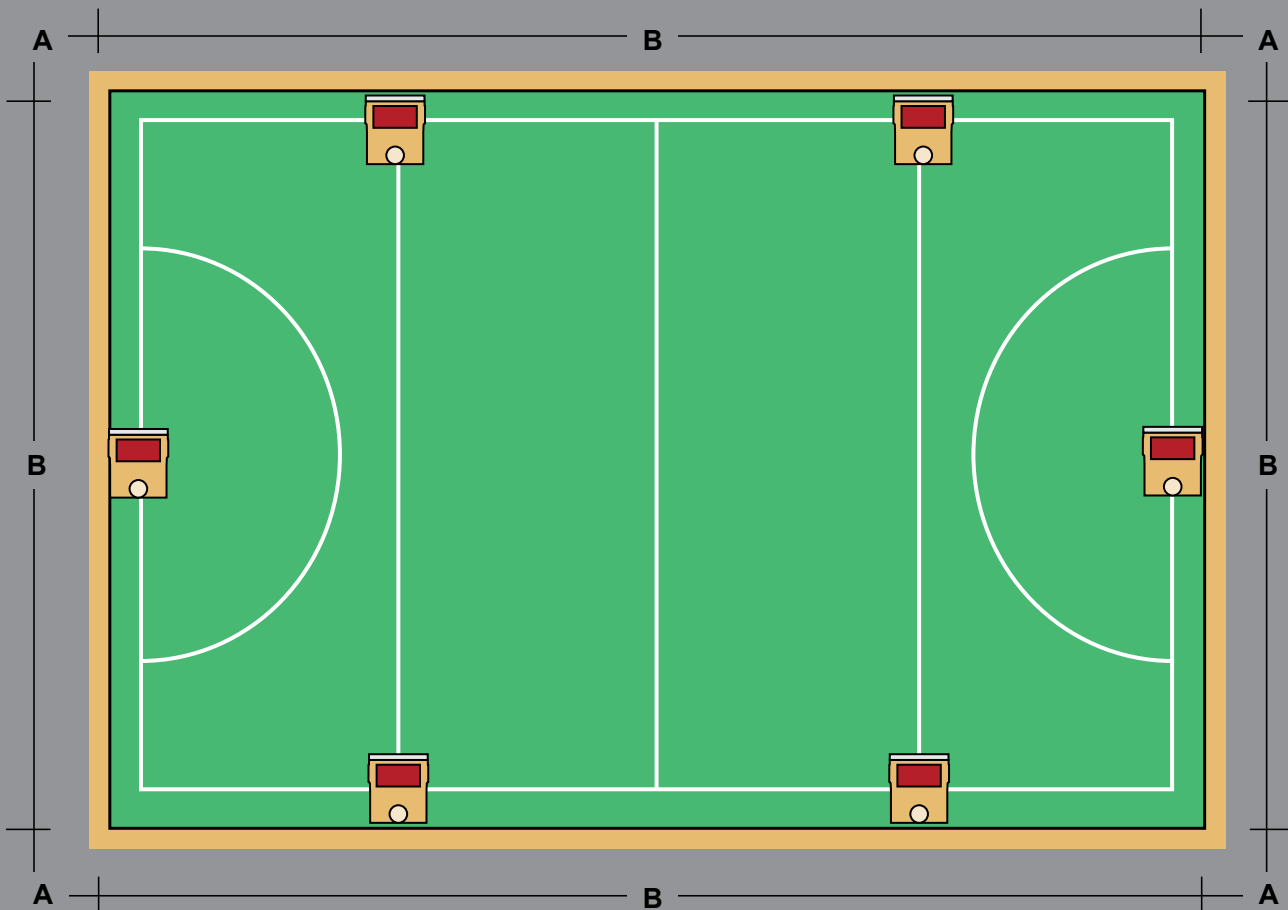
ANRIN SPORT Sump unit tray channel

- With matching tray channel
- Claw groove
- With inner-lying OvalGrip compound grating
- With PE bucket and DA/OD 110 perforation
- Pipe connection optionally to the left or right
- Optionally available with cap face matching expansion joint bands

ANRIN SPORT Drainage system NW 100
Synthetic turf for rectangular
synthetic turf playing fields.
Clamping for the synthetic turf
outside the channel.



- ① **Clamp channel NW 100**
with slotted steel grating and TwistLock fastening, incl. clamp set
- ② **Cover grating**
slotted steel grating, galvanised steel with TwistLock
- ③ **Sump unit**
for clamp channel NW 100 with PE bucket and DA/OD 110 perforation with slotted steel grating Kl.A and TwistLock fastening incl. clamp set



Sump unit for clamping channel NW 100

A Clamp channel with mitred cut for 90° corner
 Clamp stone with mitred cut for 90° corner
 Clamp rail with mitred cut for 90° corner

B Clamp channel NW 100 L = 100 cm
 Clamp stone L = 100 cm
 Clamp rail L = 200 cm

The ANRIN SPORT drainage system NW 100 synthetic turf is the optimal solution of the drainage of all modern synthetic turf facilities. Two important functions are simultaneously addressed by one single component: the fastening

of the synthetic turf and the drainage of the auxiliary surfaces. The screw-less clamping prevents damage to the covering material. By dispensing with metal parts on the surface, the greatest possible safety is assured for sports.

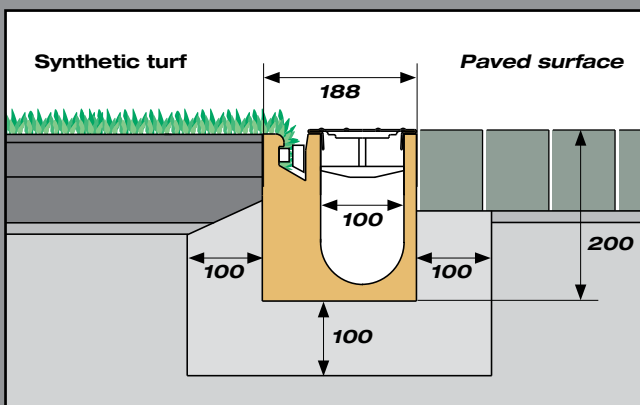
The channel cross-section, without disruptive fastening parts of covers and locking mechanisms, facilitates cleaning and maintenance processes.

ANRIN SPORT Drainage system NW 100 synthetic turf	
Clamp channel NW 100, L = 100 cm, with slotted galvanised steel grating	Item 04401001
Sump unit with inlet opening, dirt trap bucket and perforation for pipe socket DA/OD 110	Item 04403000
Mitre cut on clamping channel NW 100 with slotted steel grating for 90° corner	Item 01307600

Specifications	NW 100	Sump unit	Cover
Material	Resin concrete	Resin concrete	Galvanised steel
Length	100 cm	50 cm	100 cm
Width	18.8 cm	18.8 cm	16.0 cm
Height	20.0 cm	56.3 cm	
Weight	25.0 kg	27.5 kg	

Areas of application
for rectangular synthetic turf playing fields with even-level auxiliary surfaces

Example installation



ANRIN SPORT Drainage system NW 100 synthetic turf clamp channel NW 100

- For rectangular synthetic turf playing fields with even-level auxiliary surfaces
- Straight
- Slotted steel grating



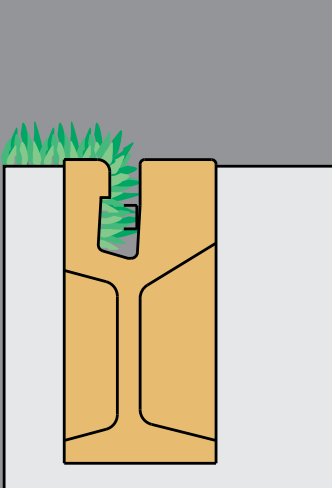
ANRIN SPORT Clamp stone and clamp rail for edging of synthetic turf playing fields in combination with pavement, edge blocks or channels



- ① **Clamp stone**
with 5 cm concrete edge,
playing surface raised 0–5 cm,
incl. clamping set
- ② **Clamp rail**
galvanised steel,
with 4 anchors, incl. clamping set
- ③ **Clamping set**

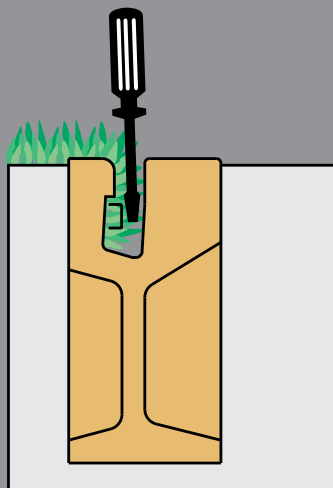


ANRIN SPORT Clamp system functional description

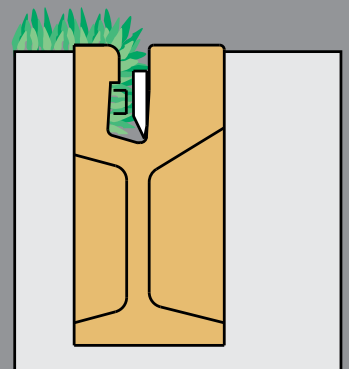


1. Cut the seam of the synthetic turf and insert it in the clamping slot (a).

2. Press the gripper rail (b) into the clamping slot with the short brackets aligned towards the synthetic turf until the top edge with the insertion chamfer closes on the clamp stone.



3. Insert a screwdriver behind the gripper rail and press in and forward by turning the edge of the gripper rail.



4. Then fix the wedge (c) behind the gripper rail with the chamfer on aligned towards the artificial turf using the driving tool.

With the ANRIN SPORT clamp stone made of resin concrete and the ANRIN SPORT clamp rail made of galvanised steel, two highly-functional and easy-to-install clamping systems are available for

the edging of traditionally installed synthetic turf. In the process, the synthetic turf is aligned with the corresponding gripper rail in the clamping slot and fixed in place by driving in the synthetic

wedge. The clamp stone and clamp rail are suitable for combination with pavers, edge plates and drainage channels. The installation takes place in a concrete foundation.

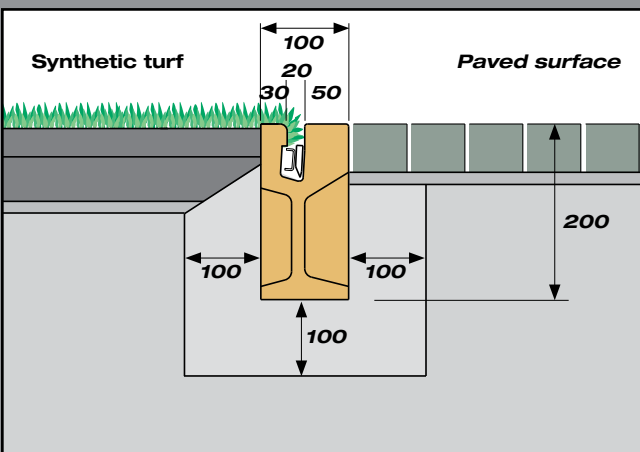
ANRIN SPORT Clamp stone and clamp rail for synthetic turf playing fields

Clamp Stone with 5 cm concrete edge, brown resin	Item 04435000
Mitred cut on the clamp stone for 90° corner or clamping rail	Item 01307600
Clamp rail, galvanised steel, with 4 anchors, length = 200 cm	Item 04436000
Clamping set comprising 4 synthetic wedges, 2 gripper rails of 48 cm per length m	

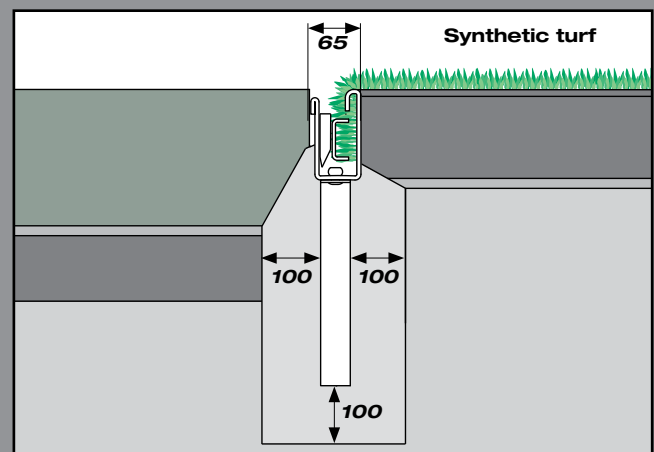
Specifications	Clamp stone with concrete edge	Clamp rail
Material	Resin concrete	Galvanised steel
Length	100 cm	200 cm
Width	10.0 cm	3.0 cm
Height	20.0 cm	6.0 cm
Weight	21.1 kg	7.0 kg

Area of use

for rectangular synthetic turf playing fields with even-level auxiliary surfaces



ANRIN SPORT Clamp stone



ANRIN SPORT Clamp rail



ANRIN SPORT Soft kerbing for edging of tracks, playing fields and long jump pits

- ① **Soft kerbing**
with black rubber profile
- ② **Soft kerbing**
with white rubber profile



Area of use

Outside and inside **track delimiting**

Segment delimiting of playing fields

Edging of jump pits, shot enclosures

Edging of volleyball courts



Jump pit and track edging with soft kerbing

ANRIN SPORT soft kerbings made of resin concrete with EPDM rubber profile in black or white are especially well-suited for the edging of tracks, for delimiting playing fields against segment areas and for edging jump pits or shot

enclosures. The rubber profile is poured in the resin concrete and provides optimal active safety due to the elasticity of the material and the rounded edges. Widths of 5 cm for track delimiting, over 6 cm for jump pits and beach volleyball

courts, up to 10 cm for shot pits and constructions height from 20 to 40 cm offer a multitude of custom construction and design possibilities.

ANRIN SPORT Soft kerbing

	L = 100 cm	L = 50 cm	Corner piece	Area of application
6/40 white	04521000	04521100	04521200	Long and triple jump
6/40 black	04501000	04501100	04501200	
6/30 white	04522000	04522100	04522200	Long and triple jump
6/30 black	04502000	04502100	04502200	
6/25 white	04523000			Edging of tracks and playing fields
6/25 black	04503000			
6/20 white	04524000			Edging of tracks and playing fields
6/20 black	04504000			
5/25 white	04526000			Edging of tracks and playing fields
5/25 black	04506000			
5/20 white	04527000			Edging of tracks and playing fields
5/20 black	04507000			
10/25 black	04509500			Shot enclosures, beach volleyball
10/40 black	04508000			

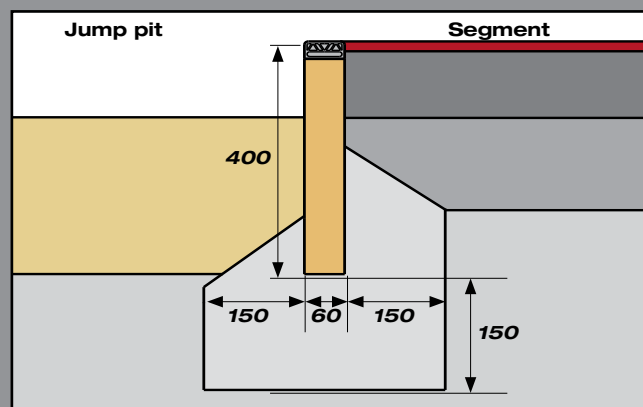
Specifications	Soft kerbing	Length compensation	Corner piece
Material	Resin concrete	Resin concrete	Resin concrete
Length	100.0 cm	50 cm	25 x 25 cm
Width	5.0/6.0/10.0 cm	6.0 cm	6.0 cm
Height	20.0/25.0/30.0/40.0 cm	30.0/40.0 cm	30.0/40.0 cm
Weight	12.5–33.8 kg	10.0/11.1 kg	11.0/12.1 kg

Installation plan

Parts list:	
Soft edge block	
6/40/100	= 28 pcs.
6/40/50	= 4 pcs.
6/40/corner	= 4 pcs.
Sand collecting channel	
100/50/14	= 23 pcs.
112/50/14	= 3 pcs.
End cap	= 4 pcs.

Installation plan for long jump pit edging based on a pit with dimensions of 9.00 x 7.00 m.

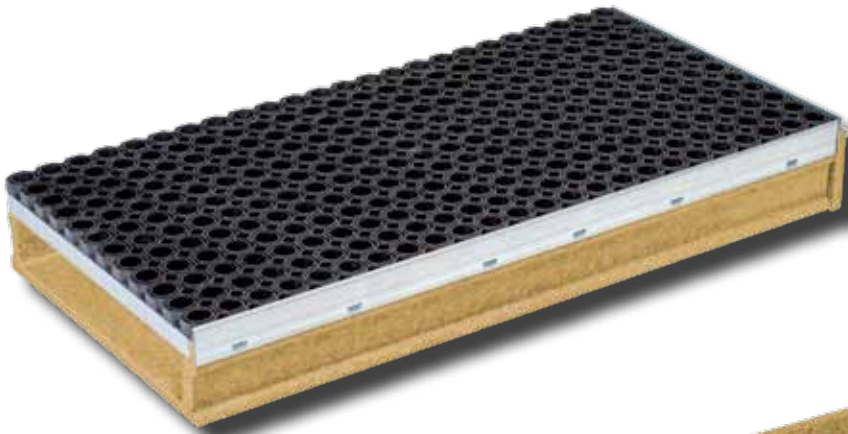
Example installation



**ANRIN SPORT Sand collecting channel
for collecting sand from long jump pits**

- ① **Sand collecting channel**
with end cap, slotted steel grating and
honeycomb mat
- ② **Sand collecting channel**
with end cap

①



②



Edging of a long jump pit with soft kerbing



The ANRIN SPORT sand collecting channel is comprised of a resin concrete tray with surrounding steel edge and a cover made of mesh steel

grating with rubber honeycomb mat on top. For the delimiting of the sand pit against synthetic coated auxiliary surfaces, we recommend installation

in single or double rows. In doing so, excessive dirtying of the synthetic covering is prevented.

ANRIN SPORT Sand collecting channel

Channel with steel edge and rubber mate on steel mesh grating, L = 100 cm	Item 04571000
Channel with steel edge and rubber mate on steel mesh grating, L = 112 cm	Item 04572000
Channel with steel edge and rubber mate on steel mesh grating, L = 67 cm	Item 04571670
End cap with steel edge	Item 04573000

Specifications	Sand collecting channel	Length compensation	End cap
Material	Resin concrete	Resin concrete	Resin concrete
Length	100.0 cm	67.0 and 112.0 cm	
Width	50.0 cm	50.0 cm	50.0 cm
Height	14.0 cm	14.0 cm	14.0 cm
Weight	43.0 kg	48.0 kg	2.9 kg

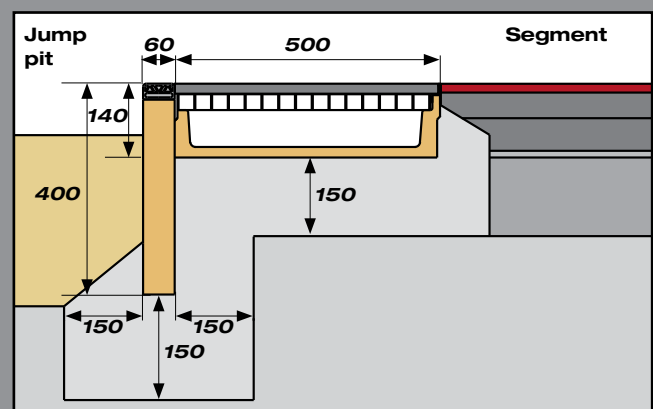
Area of use

Sand collecting channel for collecting sand from long jump pits

Example installation

Parts list:	
Soft edge block	
6/40/100	= 28 pcs.
6/40/50	= 4 pcs.
6/40/corner	= 4 pcs.
Sand collecting channel	
100/50/14	= 23 pcs.
112/50/14	= 3 pcs.
End cap	= 4 pcs.

Installation plan for long jump pit edging based on a pit with dimensions of 9.00 x 7.00 m.



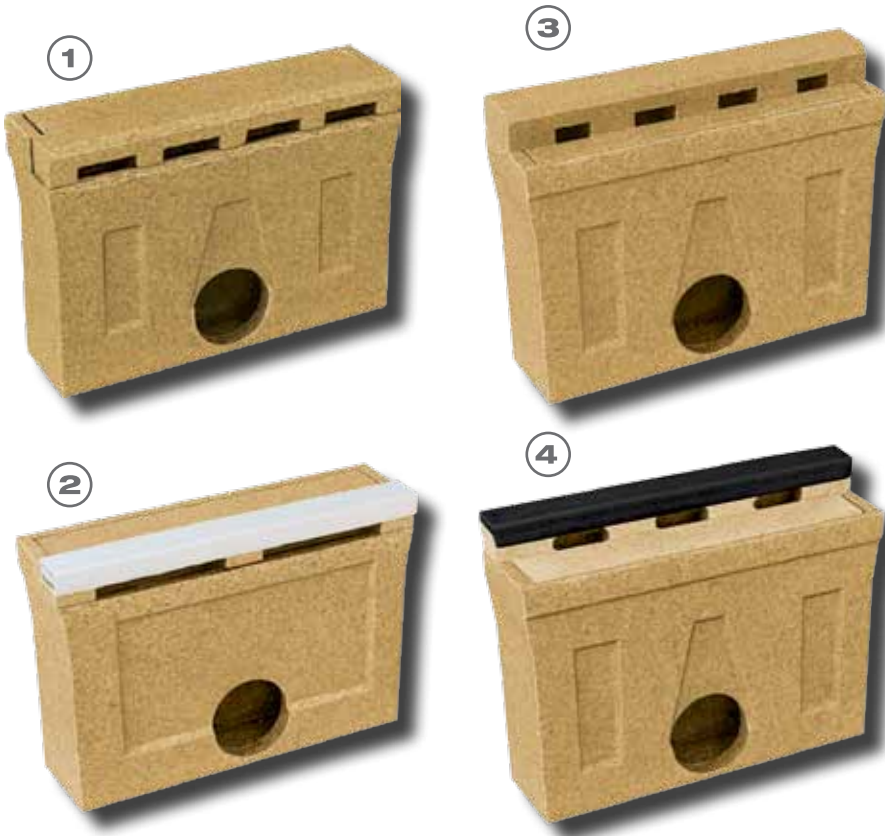
SERVICE

ANRIN provides custom solutions and possibilities for sports facility construction. Here you benefit from reliable cooperation with our technical office staff and good contact with the field staff. ANRIN is certified according to DIN EN ISO 9001.

ANRIN DIRECT CONTACT: **+49 (0) 29 47.97 81-0**



ANRIN SPORT Spot intake drain for point drainage in edging and tracks with special radii



- ① **Spot intake, one-sided inlet**
with PE bucket, with DA/OD 110 perforations, cover made of resin concrete, matches concrete block
- ② **Spot intake, one-sided inlet**
with PE bucket, with DA/OD 110 perforations, cover with rubber profile, 5 cm white
- ③ **Spot intake, two-sided inlet**
with PE bucket, with DA/OD 110 perforations, cover made of resin concrete, matches concrete block
- ④ **Spot intake, two-sided inlet**
with PE bucket, with DA/OD 110 perforations, cover with rubber profile, 5 cm black



ANRIN SPORT spot intakes supplement the ANRIN SPORT channel systems and provide a possibility for point drainage in block edging. The flow passes through a dirt trap bucket to a pipe connection or a drainage package. The installation

spacing should be between 2.5 and 5.5 m, depending on the surface. ANRIN SPORT spot intake, one and two-sided inlet, with PE sludge bucket and DA/OD 110 perforation, length 50 cm, width 15 cm, height 35 cm. Cover with

rubber profile, matches soft edge blocks, 5 and 6 cm, white or black. Cover made of resin concrete, matches concrete edge blocks with chamfer.

ANRIN SPORT Spot intake

one-sided inlet

Spot intakes, one-sided inlet, cover with 5 cm rubber profile, white	Item 04551000
Spot intakes, one-sided inlet, cover with 5 cm rubber profile, black	Item 04552000
Spot intakes, one-sided inlet, cover with 6 cm rubber profile, white	Item 04553000
Spot intakes, one-sided inlet, cover with 6 cm rubber profile, black	Item 04554000
Spot intakes, one-sided inlet, cover made of resin concrete, matches concrete block	Item 04555000

two-sided inlet

Spot intakes, two-sided inlet, cover with 5 cm rubber profile, white	Item 04561000
Spot intakes, two-sided inlet, cover with 5 cm rubber profile, black	Item 04562000
Spot intakes, two-sided inlet, cover with 6 cm rubber profile, white	Item 04563000
Spot intakes, two-sided inlet, cover with 6 cm rubber profile, black	Item 04564000
Spot intakes, two-sided inlet, cover made of resin concrete, matches concrete block	Item 04565000

Area of use

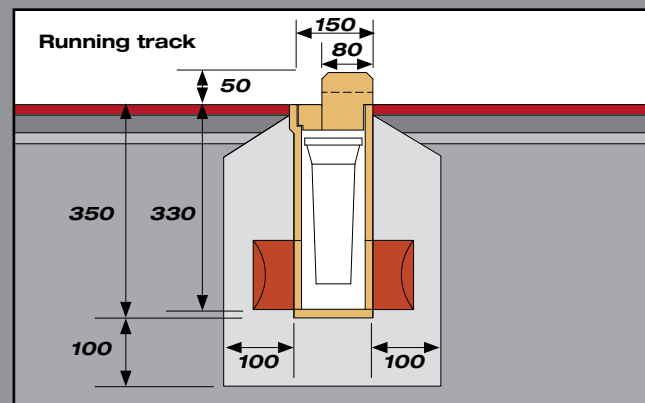
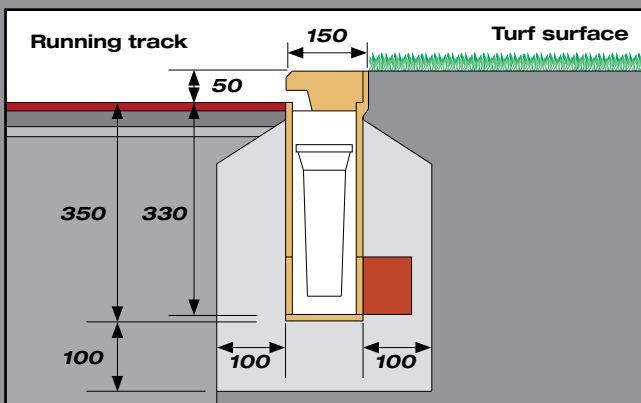
Point drainage in edging and arenas with special radii

Specifications

Spot intake (one and two-sided inlet)

Material	Resin concrete
Length	50.0 cm
Width	15.0 cm
Height	35.0 cm
Weight	17.0 kg and 18.0 kg

Example installation



ANRIN SPORT Spot intake

- One-sided inlet
- With PE bucket
- With DA/OD 110 perforation
- Cover made of resin concrete

ANRIN SPORT Spot intake

- Two-sided inlet
- With PE bucket
- With DA/OD 110 perforation
- Cover made of resin concrete

**ANRIN SPORT Cable distributor shaft
for permanent and temporary cabling
of sport facilities**

① Cable distributor shaft
with steel frame, DA/OD 110/160 perforations
on all sides.
Cover made of galvanised steel for
customer-provided covering with
synthetic turf/synthetic coating

② Cable distributor shaft
with steel frame, DA/OD 110/160 perforations
on all sides.
Cover made of galvanised steel
as corrugated sheet



ANRIN SPORT cable distributor shafts organise permanent and temporary cabling of sport facilities. Connected to empty conduit below the track and playing field areas, it enables fault-free

operation of power, data and media networks. The shaft body made of resin concrete has a surrounding steel case and perforations for empty conduit on all sides. The open base is provided

with a drip packing. The cover has an installation panel to accommodate the plug connections and has an opening with cable tension relief.

ANRIN SPORT Cable distributor shaft

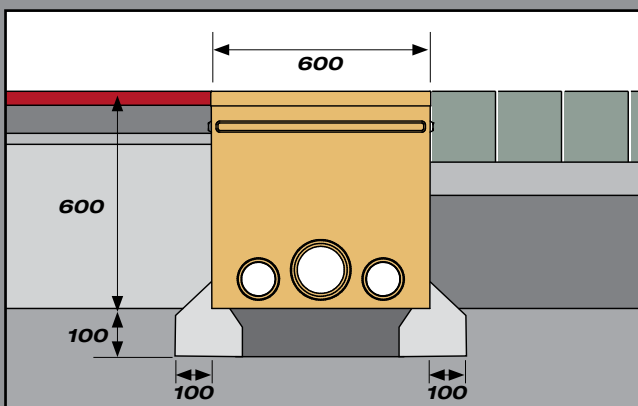
Cable distributor shaft , without base, with steel frame and DA/OD 110/160 perforations on all sides	Item 04611000
Cover for cable distributor shaft, galvanised steel, customer-provided covering	Item 04613010
Cover for cable distributor shaft, galvanised steel, customer-provided covering	Item 04613020

Specifications	Cable distributor shaft	Coatable cover	Corrugated sheet
Material	Resin concrete	Galvanised steel	Galvanised steel
Length	60.0 cm	60.0 cm	60.0 cm
Width	60.0 cm	60.0 cm	60.0 cm
Height	60.0 cm		
Weight	57.0 kg		

Area of use

Permanent and temporary cabling of sport facilities

Example installation



ANRIN SPORT Cable distributor shaft

- Steel frame
- DA/OD 110/160 perforations on all sides
- Cover made of galvanised steel
 - as corrugated sheet
 - for customer-provided covering with synthetic turf / synthetic covering

SERVICE

ANRIN provides custom solutions and possibilities for sports facility construction. Here you benefit from reliable cooperation with our technical office staff and good contact with the field staff. ANRIN is certified according to DIN EN ISO 9001.

ANRIN DIRECT CONTACT: +49 (0) 29 47.97 81-0





We invite you to
discover more.

*Whether you are already planning a specific project
or simply want to learn more about the
general possibilities: Put our expertise to the test
and contact us.*

ANRIN GmbH
Siemensstraße 1
D-59609 Anröchte
Tel.: +49 (0) 29 47.97 81-0
Fax: +49 (0) 29 47.97 81-50
Email: info@anrin.com
Internet: www.anrin.com

Dealer stamp

